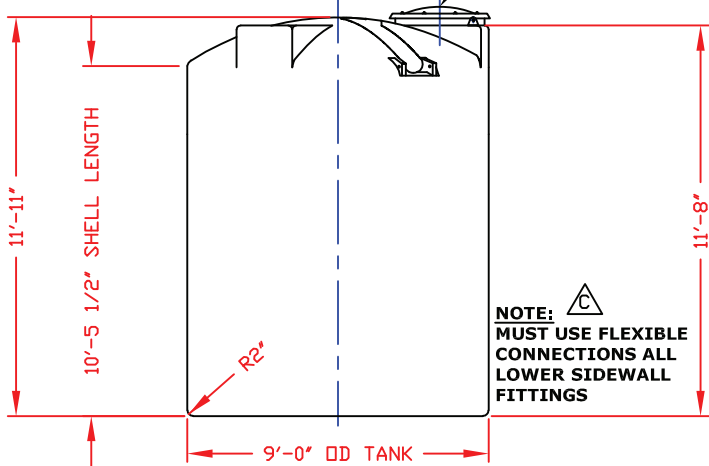
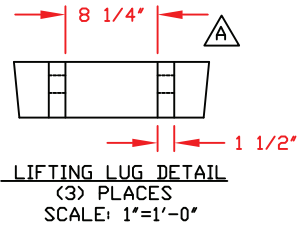
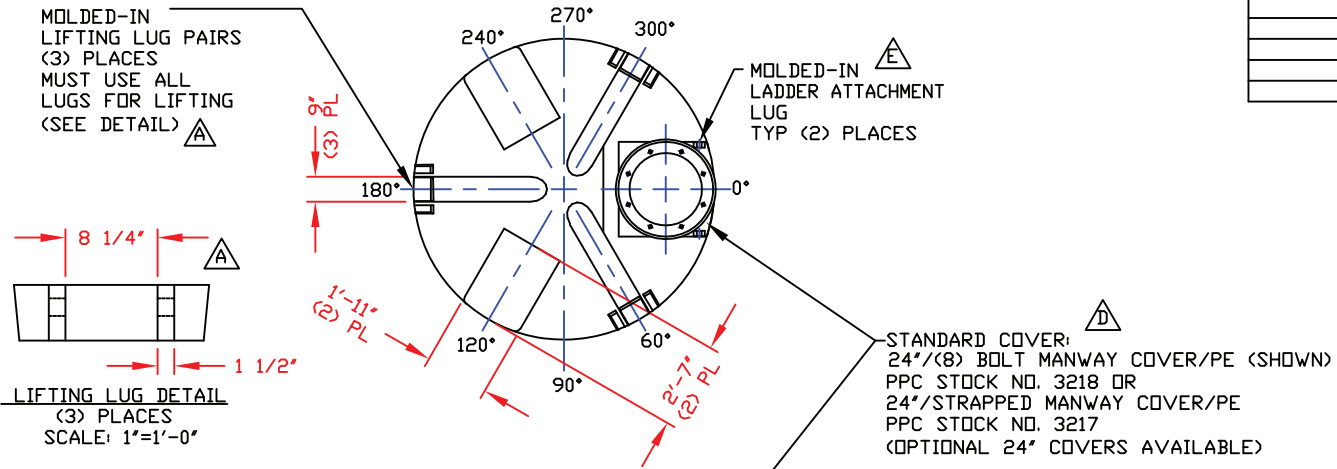


NON-CONTROLLED COPY  
 INFORMATION SUBJECT TO CHANGE WITHOUT NOTICE  
 VERIFY REV LEVEL OF PAPER COPY WITH REV LEVEL ON PPC WEB SITE

NOZZLE SCHEDULE & ACCESSORIES						
SERVICE	MK	STOCK NO.	SIZE	FITTING	DEG	ELEV



- NOTES**
1. THIS IS A COMPUTER GENERATED DWG. DO NOT REVISE BY HAND.
  2. DIMENSIONS WILL VARY ±3% DUE TO VARIATIONS IN MULTIPLE MOLDS & CONDITIONS PREVALENT DURING MANUFACTURE & USAGE.
  3. NO MOLDED IN GALLONAGE MARKERS THIS TANK.

CALCULATED CAPACITIES/ VOLUME IN U.S. GALLONS		
DESIGN CAP	DOME VOL	TOTAL VOL
4925	400	5325

CONFIDENTIAL PROPERTY OF  
 POLY PROCESSING COMPANY  
 NOT FOR REPRINT OR USE  
 WITHOUT PERMISSION

DWG TITLE: 4925 GALLON UPRIGHT TANK

SCALE: 1/4"=1'-0"

DATE: 8/24/00

Western Region  
 P.O. Box 99  
 8025 South Ash Street  
 French Crng, CA 95228  
 (916) 982-4904  
 FAX (916) 982-0455

DR: MB WILKERSON  
 CK: J. BRANTLEY

SHEET: 1 OF 1  
 COMPUTER FILE: 11004925  
 REV: E

REV "E" ADDED LADDER ATTACHMENT LUGS BY:JB 10/2/09 CK:WM
REV "D" REVISED COVER BY:JB 11/24/03 CK:MBW
REV "C" ADDED FITTING NOTE BY:JB 2/12/03 CK:MBW
REV "B" REVISED STOCK NUMBER BY:JB 1/14/03 CK:WM
REV "A" ADDED LIFTING LUGS & DETAIL BY:JB 1/14/03 CK:WM