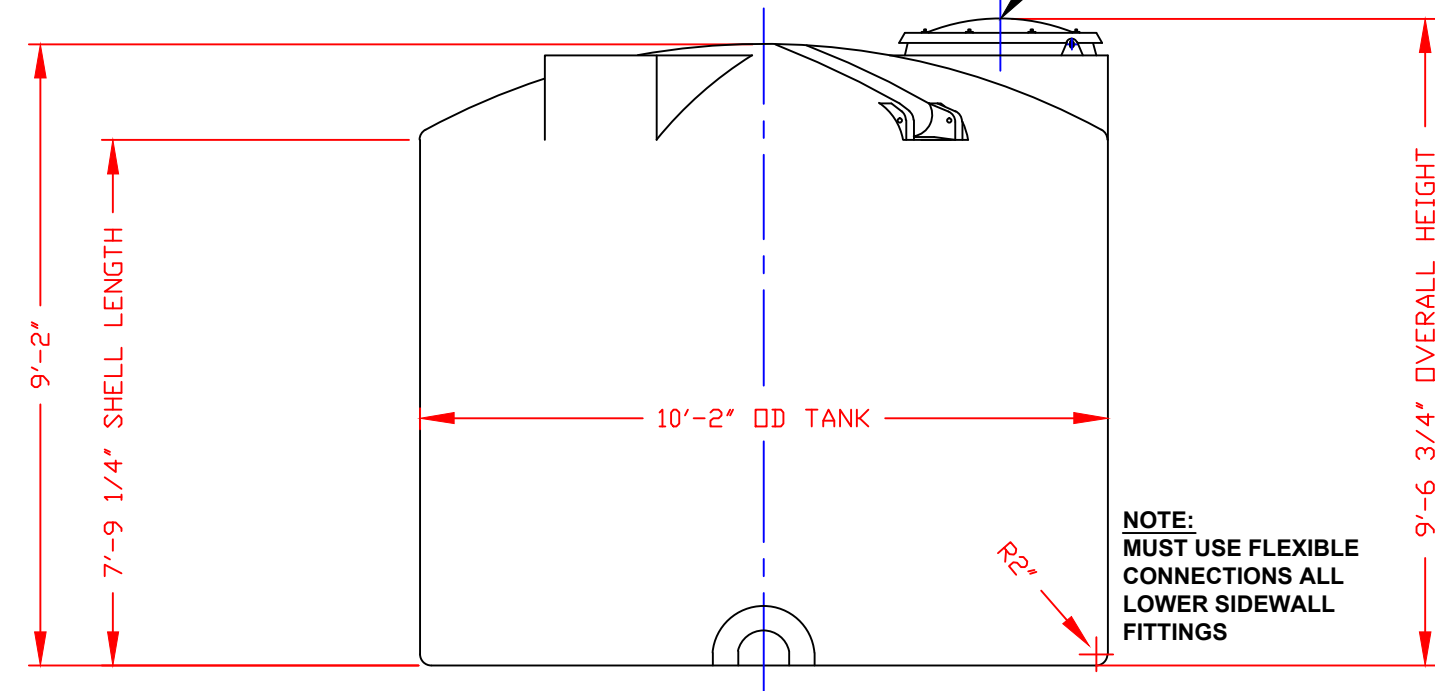
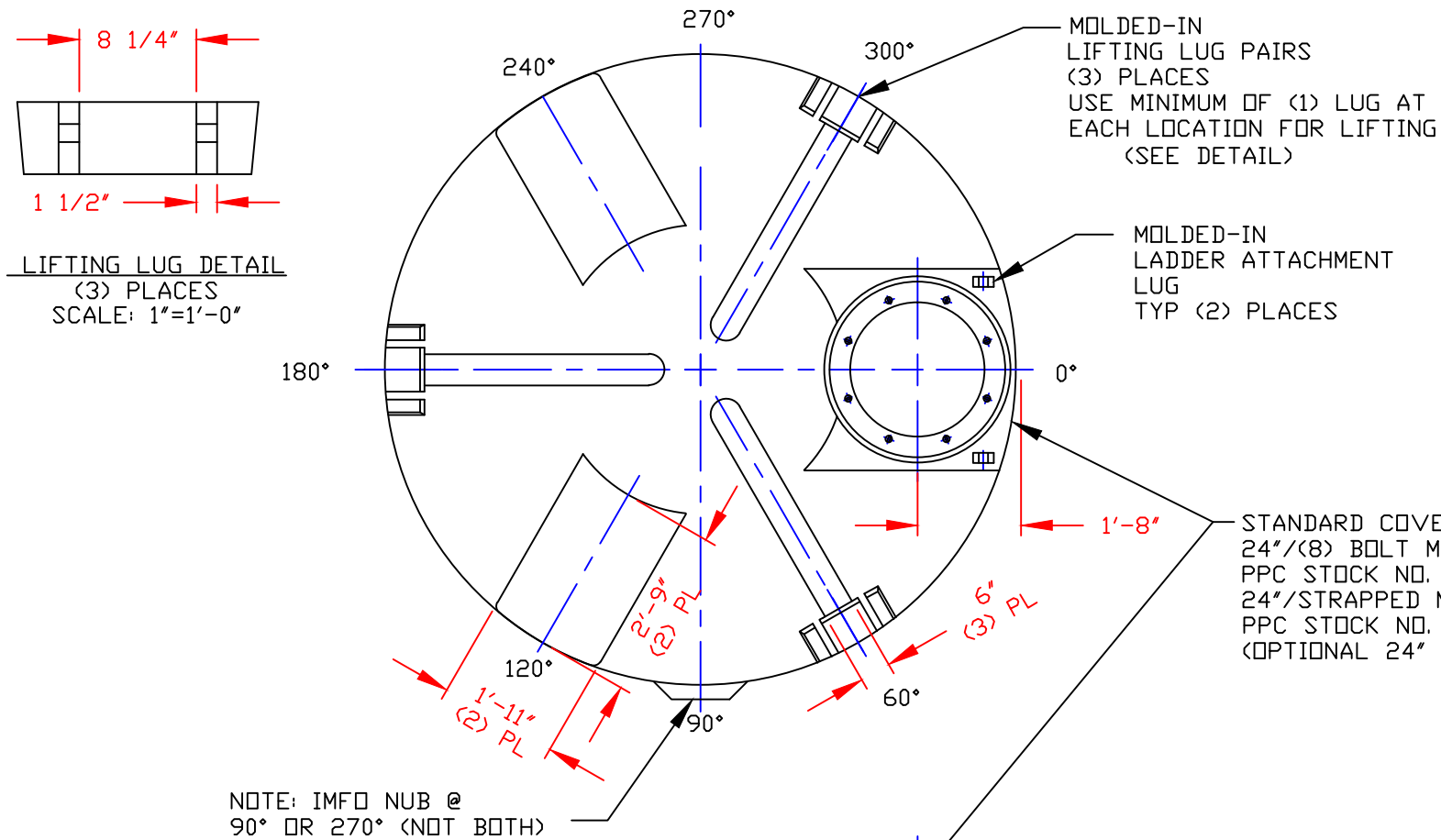


NON-CONTROLLED COPY
 INFORMATION SUBJECT TO CHANGE WITHOUT NOTICE
 VERIFY REV LEVEL OF PAPER COPY WITH REV LEVEL ON PPC WEB SITE



- NOTES**
1. THIS IS A COMPUTER GENERATED DWG. DO NOT REVISE BY HAND.
 2. DIMENSIONS WILL VARY ±3% DUE TO VARIATIONS IN MULTIPLE MOLDS & CONDITIONS PREVALENT DURING MANUFACTURE & USAGE.
 3. MOLDED IN GALLONAGE MARKERS @ 355° IN 200 GALLON INCREMENTS.

CALCULATED CAPACITIES/ VOLUME IN U.S. GALLONS		
DESIGN CAP	DOME VOL	TOTAL VOL
4610	434	5044

CONFIDENTIAL PROPERTY OF
 POLY PROCESSING COMPANY
 NOT FOR REPRINT OR USE
 WITHOUT PERMISSION

DWG TITLE 4600 GALLON UPRIGHT TANK			
SCALE: 3/8"=1'-0"	 Western Region P.O. Box 80 8055 South Ash Street French Camp, CA 95231 (209) 982-4904 FAX (209) 982-0455	DR: J. BRANTLEY	
DATE: 9/27/11		CK: B. THURMON	
SHEET 1 OF 1	COMPUTER FILE 11004600	REV -	