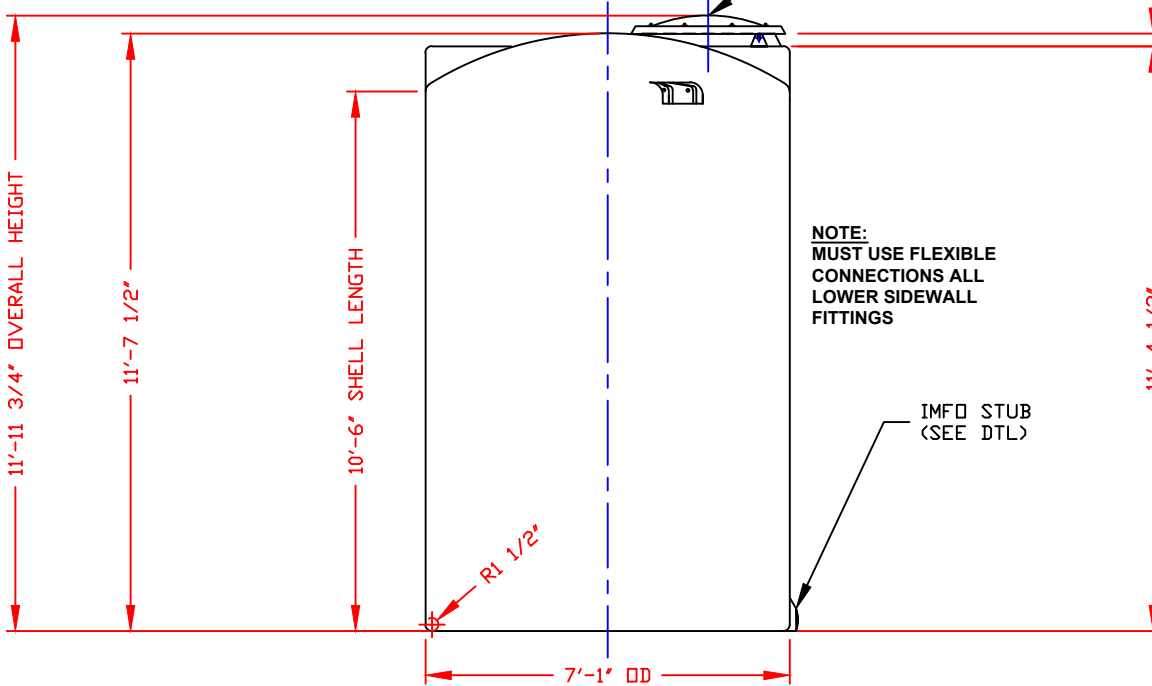
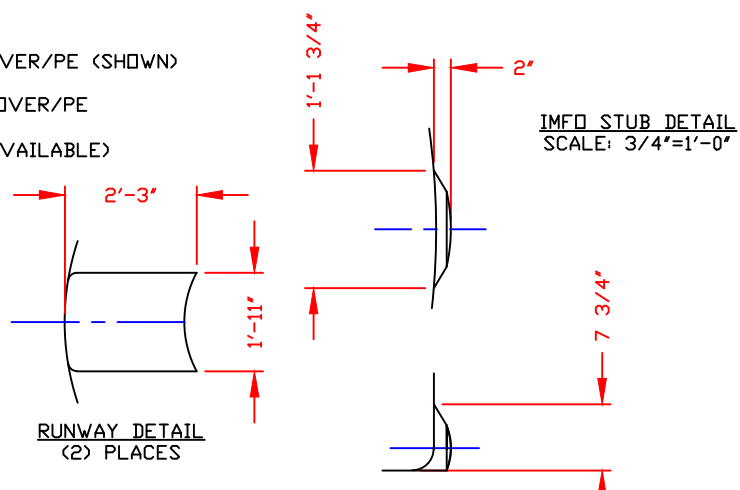
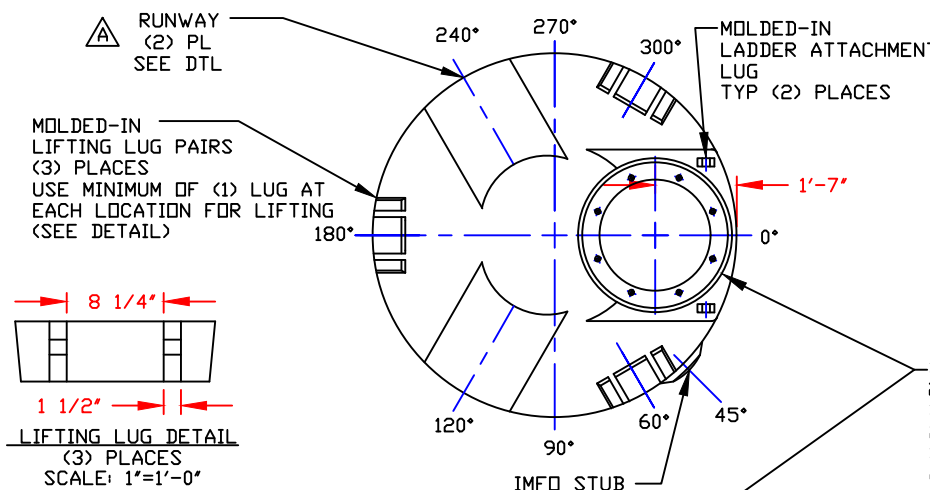


NON-CONTROLLED COPY
 INFORMATION SUBJECT TO CHANGE WITHOUT NOTICE
 VERIFY REV LEVEL OF PAPER COPY WITH REV LEVEL ON PPC WEB SITE

NOZZLE SCHEDULE & ACCESSORIES

| SERVICE | MK | STOCK NO. | SIZE | FITTING | DEG | ELEV |
|---------|----|-----------|------|---------|-----|------|
| | | | | | | |
| | | | | | | |
| | | | | | | |
| | | | | | | |
| | | | | | | |
| | | | | | | |
| | | | | | | |
| | | | | | | |
| | | | | | | |



NOTES


- THIS IS A COMPUTER GENERATED DWG. DO NOT REVISE BY HAND.
- DIMENSIONS WILL VARY ±3% DUE TO VARIATIONS IN MULTIPLE MOLDS & CONDITIONS PREVALENT DURING MANUFACTURE & USAGE.
- MOLDED IN GALLONAGE MARKERS @ APPROX 60° IN 200 GAL INCREMENTS UP TO 2800 GAL.

| CALCULATED CAPACITIES/VOLUME IN U.S. GALLONS | | |
|--|----------|-----------|
| DESIGN CAP | DOME VOL | TOTAL VOL |
| 3031 | 142 | 3173 |

CONFIDENTIAL PROPERTY OF POLY PROCESSING COMPANY NOT FOR REPRINT OR USE WITHOUT PERMISSION

DWG TITLE
 3000 GALLON UPRIGHT TANK (LA)

| |
|---|
| REV "D" NOTE 3 REVISED BY: KS 8/19/19 |
| REV "C" CORRECTED KNUCKLE RADIUS BY:JB 2/8/19 |
| REV "B" NOTE 3 REVISED BY:JB 11/29/16 |
| REV "A" ADDED RUNWAYS BY:JB 9/22/09 CK:WM |

| | | |
|-------------------|---|------------------------|
| SCALE: 3/8"=1'-0" |  Central Region P.O. Box 4159 (71813) 2201 Old Springington Rd. Monroe, LA 71203 CDP 343-7543 FAX (504) 343-8795 | DR: J. BRANTLEY |
| DATE: 8/12/09 | | CK: W. MANUEL |
| SHEET 1 OF 1 | | COMPUTER FILE 1003000L |
| | | REV D |