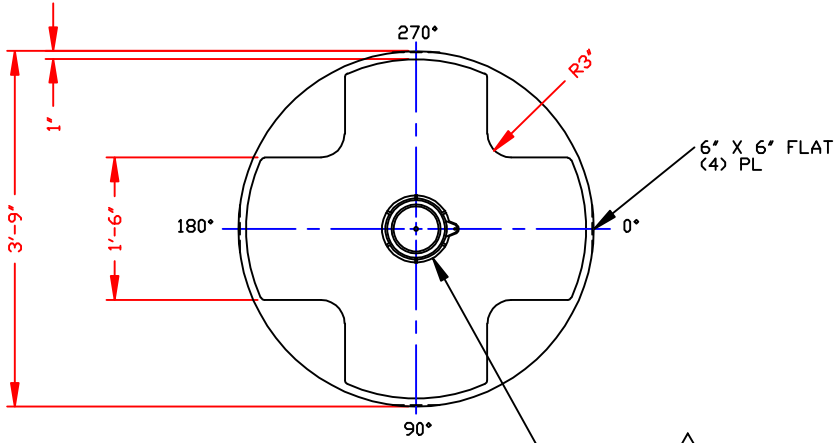
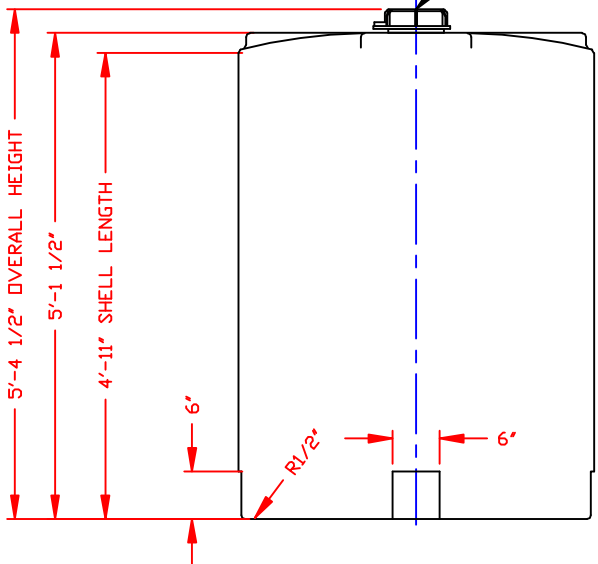


NON-CONTROLLED COPY
 INFORMATION SUBJECT TO CHANGE WITHOUT NOTICE
 VERIFY REV LEVEL OF PAPER COPY WITH REV LEVEL ON PPC WEB SITE



△
 STANDARD COVER:
 7" TH'D CAP/BLANK/
 CHMPLS/BLACK PE
 PPC STOCK NO. 4565



NOTE:
 MUST USE FLEXIBLE
 CONNECTIONS ALL
 LOWER SIDEWALL
 FITTINGS

NOZZLE SCHEDULE & ACCESSORIES						
SERVICE	MK	STOCK NO.	SIZE	FITTING	DEG	ELEV

- NOTES**
1. THIS IS A COMPUTER GENERATED DWG. DO NOT REVISE BY HAND.
 2. DIMENSIONS WILL VARY ±3% DUE TO VARIATIONS IN MULTIPLE MOLDS & CONDITIONS PREVALEANT DURING MANUFACTURE & USAGE.
 3. NO MOLDED IN GALLONAGE MARKERS THIS TANK.

CALCULATED CAPACITIES/ VOLUME IN U.S. GALLONS		
DESIGN CAP	DOME VOL	TOTAL VOL
399	7	406

CONFIDENTIAL PROPERTY OF
 POLY PROCESSING COMPANY
 NOT FOR REPRINT OR USE
 WITHOUT PERMISSION

DWG TITLE 400 GALLON UPRIGHT TANK			
SCALE: 3/4"=1'-0"	 POLY PROCESSING COMPANY, LLC	Central Region P.O. Box 4500 (71521) 25th St. Shreveport La. Monroe, LA 71202 CS# 343-7562 FAX CS# 343-9795	DR: MB WILKERSON CK: J. BRANTLEY
DATE: 2/12/03		SHEET 1 OF 1	COMPUTER FILE 1000400

REV 'A' REVISED COVER BY:JB 7/26/09 CK:WM