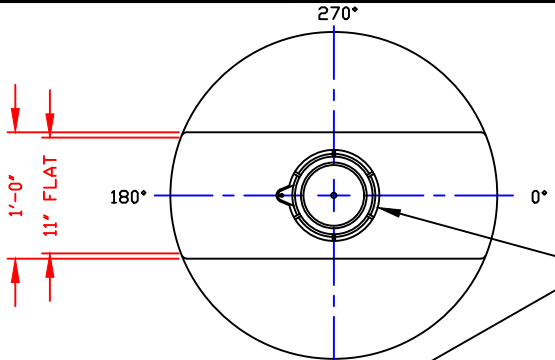
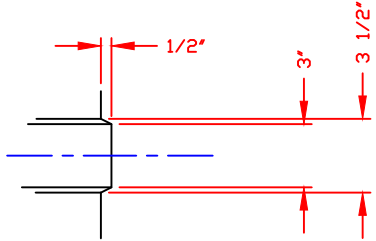


NON-CONTROLLED COPY
 INFORMATION SUBJECT TO CHANGE WITHOUT NOTICE
 VERIFY REV LEVEL OF PAPER COPY WITH REV LEVEL ON PPC WEB SITE

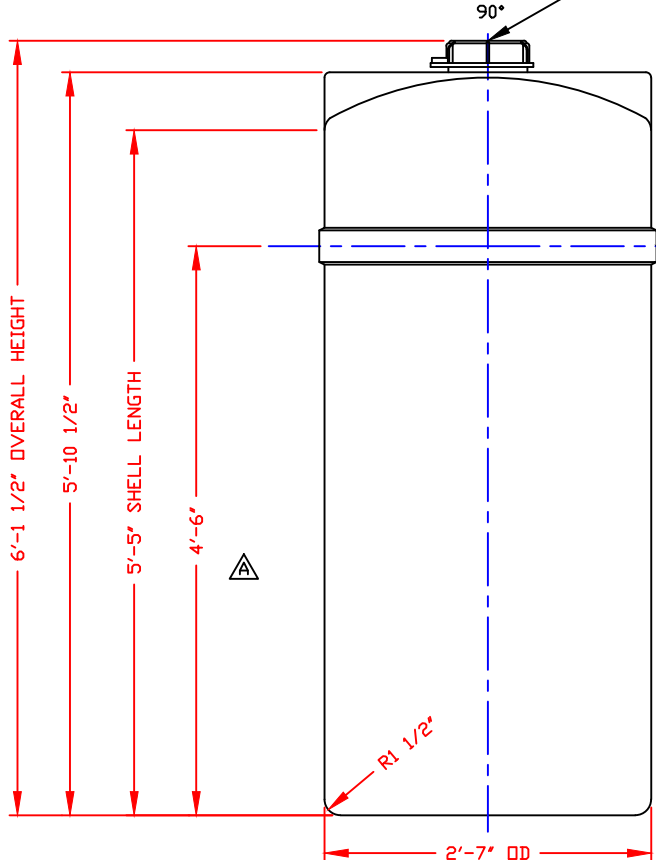
NOZZLE SCHEDULE & ACCESSORIES						
SERVICE	MK	STOCK NO.	SIZE	FITTING	DEG	ELEV



STANDARD COVER:
 7"/TH'D CAP/BLANK/
 CHMPLS/BLACK PE
 PPC STOCK NO. 4565
 OPTIONAL GASKETS:
 7"/TH'D CAP GSKT/CMPLAS/EPDM
 PPC STOCK NO. 5342
 7"/TH'D CAP GSKT/CMPLAS/BLACK VITON
 PPC STOCK NO. 5343
 OPTIONAL COVER:
 8"/LID W/RIM VENTED/BLACK PP
 PPC STOCK NO. 4802



DETAIL "A"
 SCALE: 2"=1'-0"



DTL "A"

NOTE:
 MUST USE FLEXIBLE
 CONNECTIONS ALL
 LOWER SIDEWALL
 FITTINGS

NOTES

1. THIS IS A COMPUTER GENERATED DWG. DO NOT REVISE BY HAND.
2. 4 1/2" WIDE MOLDED IN GALLONAGE MARKERS @ 0° IN 25 GAL INCREMENTS UP TO 200 GAL - CENTRAL REGION ONLY. AVOID WHEN PLACING FITTINGS.
3. DIMENSIONS WILL VARY ±3% DUE TO VARIATIONS IN MULTIPLE MOLDS & CONDITIONS PREVALENT DURING MANUFACTURE & USAGE.

CALCULATED CAPACITIES/ VOLUME IN U.S. GALLONS		
DESIGN CAP	DOME VOL	TOTAL VOL
207	7	214

CONFIDENTIAL PROPERTY OF
 PDLY PROCESSING COMPANY
 NOT FOR REPRINT OR USE
 WITHOUT PERMISSION

DWG TITLE			
205 GALLON UPRIGHT TANK			
SCALE:	1"=1'-0"	 Central Region P.O. Box 45887185 2284 Old Springington Rd. Norcross, LA 72855 CS#D 343-7863 FAX CS#D 343-9795	DR: MB WILKERSON
DATE:	9-10-99		CK: D. RECTOR
REV "B" ADDED FITTING NOTE DRMBW 2/11/03 CK:JB		SHEET	COMPUTER FILE
REV "A" ADDED NOTE DRMBW 7/12/00 CK:JB		1 OF 1	1000205 B