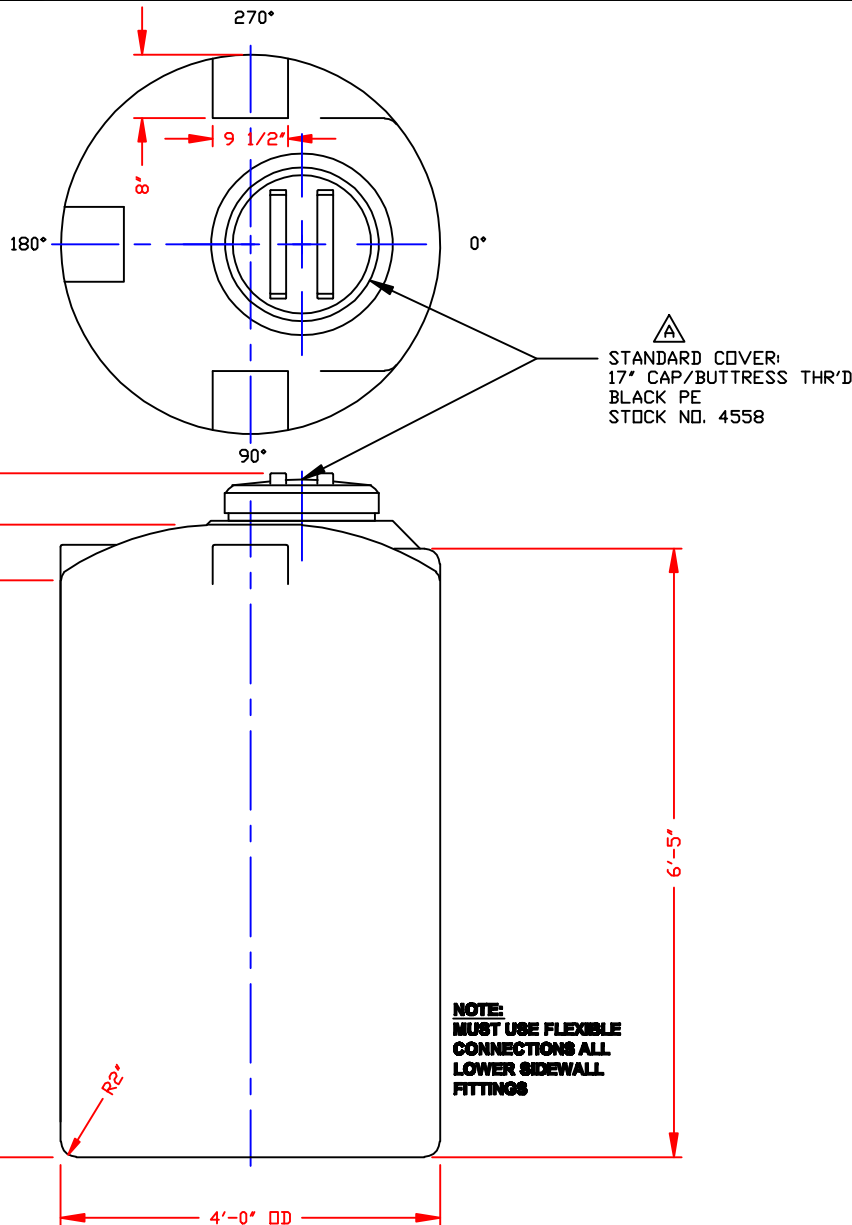


NON-CONTROLLED COPY
 INFORMATION SUBJECT TO CHANGE WITHOUT NOTICE
 VERIFY REV LEVEL OF PAPER COPY WITH REV LEVEL ON PPC WEB SITE




NOZZLE SCHEDULE & ACCESSORIES						
SERVICE	MK	STOCK NO.	SIZE	FITTING	DEG	ELEV

- NOTES
1. THIS IS A COMPUTER GENERATED DWG. DO NOT REVISE BY HAND.
 2. DIMENSIONS WILL VARY ±3% DUE TO VARIATIONS IN MULTIPLE MOLDS & CONDITIONS PREVALENT DURING MANUFACTURE & USAGE.
 3. MOLDED IN GALLONAGE MARKERS @ APPROX. 15" IN 50 GALLON INCREMENTS UP TO 500 GALLON.

CALCULATED CAPACITIES/ VOLUME IN U.S. GALLONS		
DESIGN CAP	DOME VOL	TOTAL VOL
540	25	565

CONFIDENTIAL PROPERTY OF
 PDLY PROCESSING COMPANY
 NOT FOR REPRINT OR USE
 WITHOUT PERMISSION

DWG TITLE 540 GALLON UPRIGHT TANK (VA)					
SCALE: 3/4"=1'-0"				DR: J. BRANTLEY CK: W. MANUEL	
DATE: 2/10/09	Central Region P.O. Box 4550 #1525D 2891 Old Washington Rd Norcross, GA 30052 (770) 343-7823 FAX (770) 343-8795			SHEET 1 OF 1	
REV "A" REVISED COVER BY: JB 7/24/09 CK: WM				COMPUTER FILE 1000540V A	