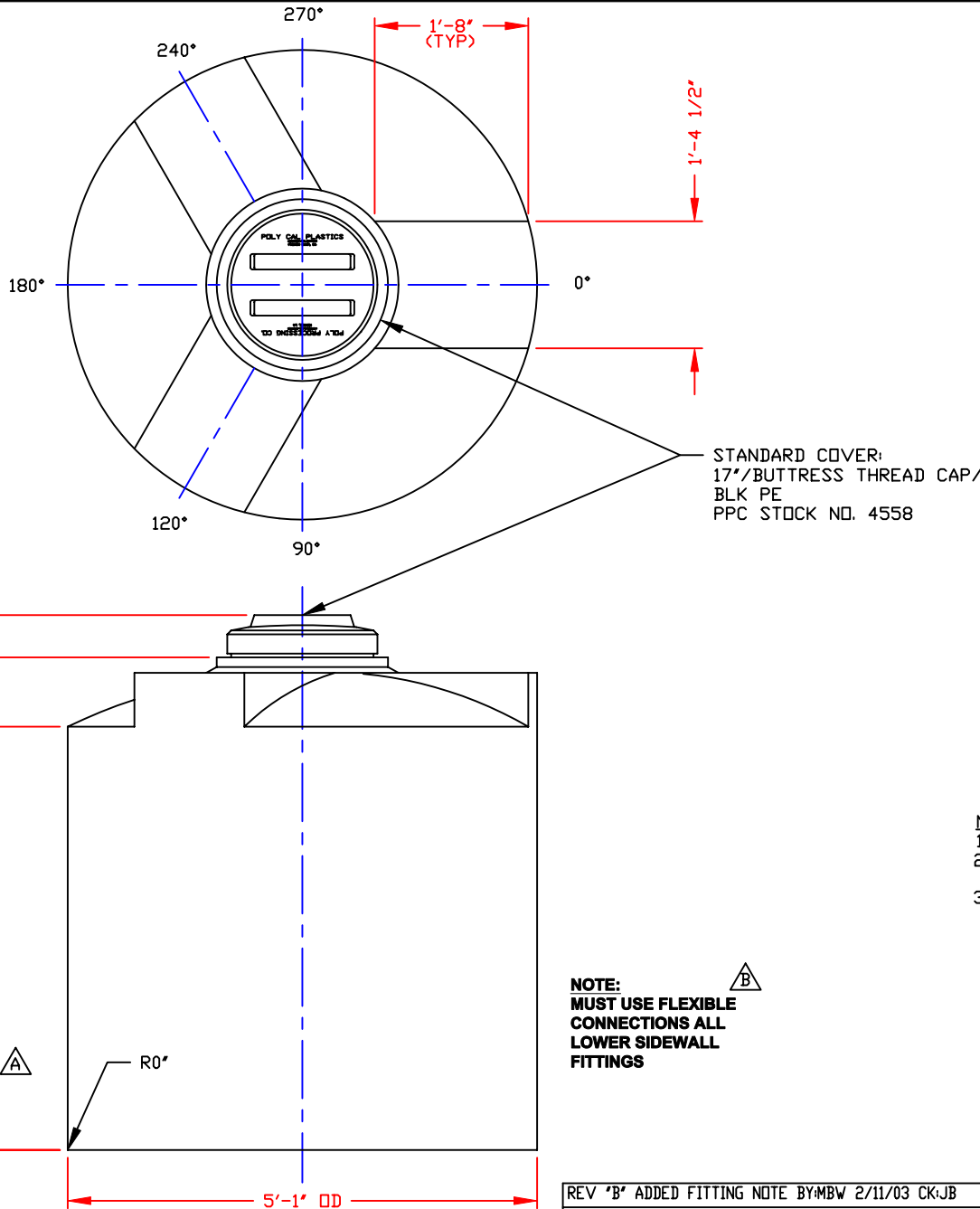


NON-CONTROLLED COPY
 INFORMATION SUBJECT TO CHANGE WITHOUT NOTICE
 COPY WILL NOT BE UPDATED

COPY ISSUED BY.....
 COPY ISSUED ON.....



NOZZLE SCHEDULE & ACCESSORIES					
SERVICE	MK	STOCK NO.	SIZE	FITTING	DEG ELEV

NOTES:
 1. THIS IS A COMPUTER GENERATED DWG. DO NOT REVISE BY HAND.
 2. DIMENSIONS WILL VARY ±3% DUE TO VARIATIONS IN MULTIPLE MOLDS & CONDITIONS PREVALENT DURING MANUFACTURE & USAGE.
 3. MOLDED IN GALLONAGE MARKERS AT 0° IN 100 GAL INCREMENTS FROM 100 GAL TO 500 GAL.

CALCULATED CAPACITIES/ VOLUME IN U.S. GALLONS		
DESIGN CAP	DOME VOL	TOTAL VOL
687	52	739

CONFIDENTIAL PROPERTY OF
 POLY PROCESSING COMPANY
 NOT FOR REPRINT OR USE
 WITHOUT PERMISSION

DWG TITLE: 685 GALLON UPRIGHT TANK

SCALE: 3/4"=1'-0"

DATE: 9/20/99

POLY PROCESSING Company

DR: MB WILKERSON
 CK: D. RECTOR

Central Region
 P.O. Box 4150 (71211)
 2261 Old Stevington Rd.
 Monroeville, LA 71250
 (504) 343-7565
 FAX (504) 343-8795

SHEET	COMPUTER FILE	REV
1 OF 1	1000685	B

NOTE:
 MUST USE FLEXIBLE CONNECTIONS ALL LOWER SIDEWALL FITTINGS

REV 'B' ADDED FITTING NOTE BY:MBW 2/11/03 CK:JB
 REV 'A' ADDED RADIUS BY:MBW 2/22/00 CK:DR