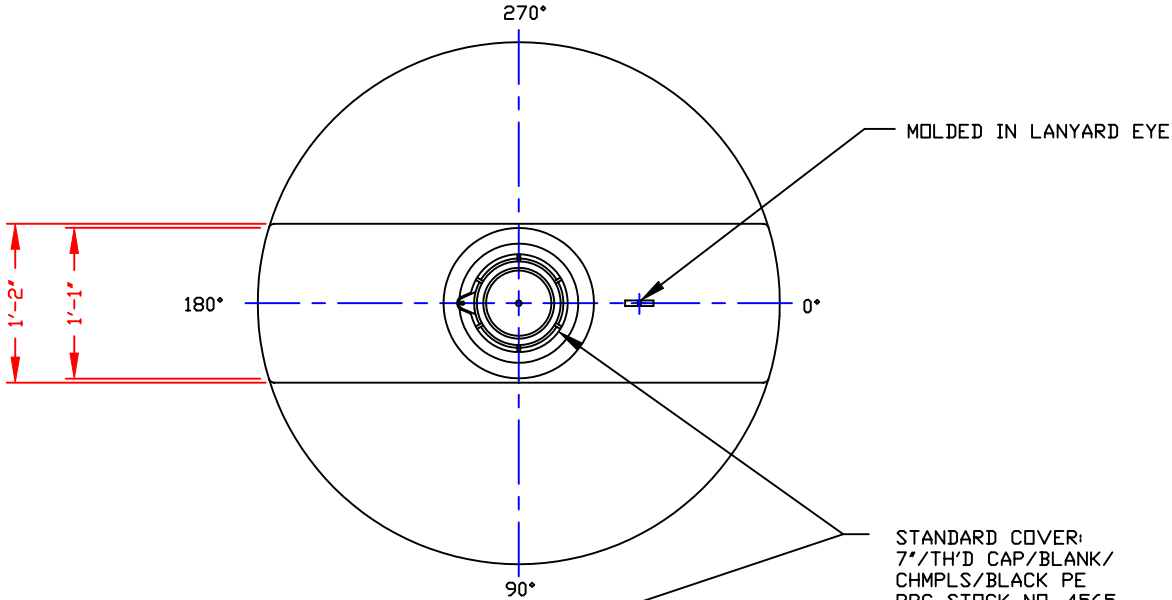


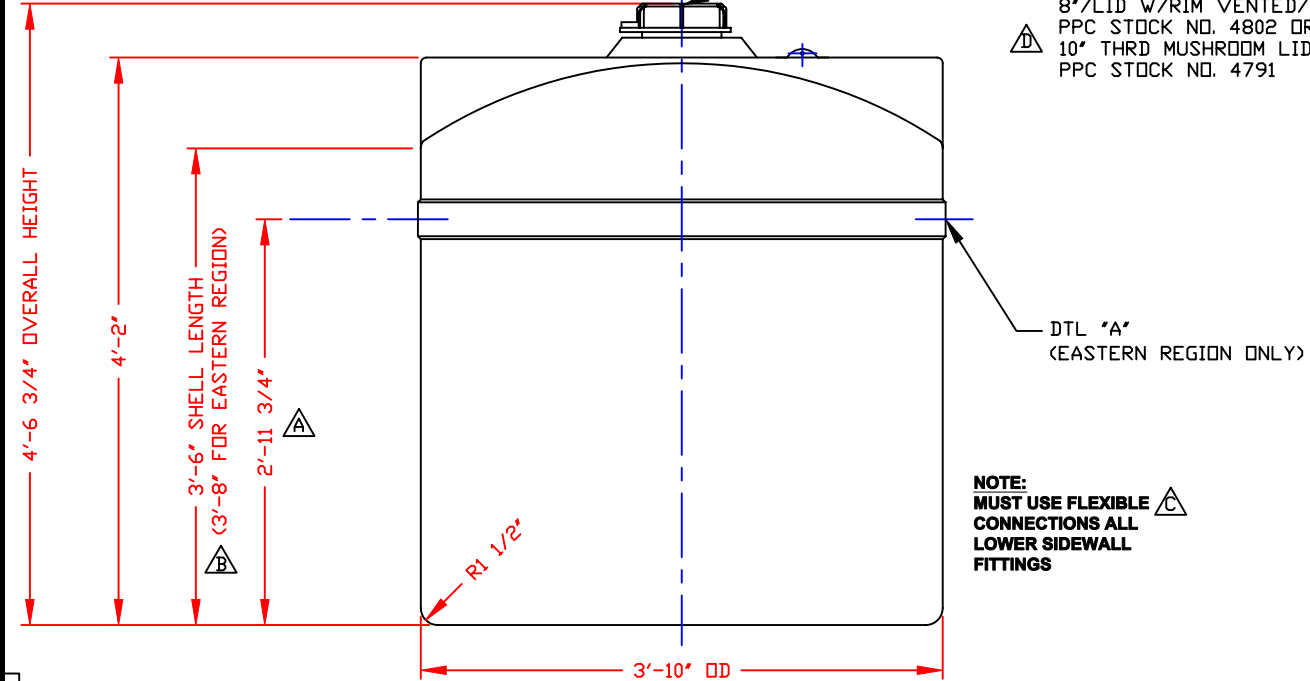
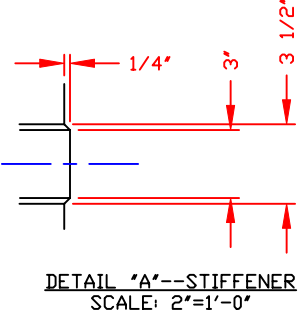
NON-CONTROLLED COPY  
 INFORMATION SUBJECT TO CHANGE WITHOUT NOTICE  
 VERIFY REV LEVEL OF PAPER COPY WITH REV LEVEL ON PPC WEB SITE

REV 'A' DID SAY 3'-0 1/2" DRMBW 7/11/00 CK:JB  
 REV 'B' ADDED NOTE DRMBW 7/11/00 CK:JB  
 REV 'C' ADDED FITTING NOTE DRMBW 2/11/03 CK:JB  
 REV 'D' MOLD MODIFICATIONS BYMBW 11/9/04 CK:WM

NOZZLE SCHEDULE & ACCESSORIES						
SERVICE	MK	STOCK NO.	SIZE	FITTING	DEG	ELEV



STANDARD COVER:  
 7"/TH'D CAP/BLANK/  
 CHMPLS/BLACK PE  
 PPC STOCK NO. 4565  
 OPTIONAL COVERS:  
 8"/LID W/RIM VENTED/BLACK PP  
 PPC STOCK NO. 4802 OR  
 10" THRD MUSHROOM LID/BLACK PP  
 PPC STOCK NO. 4791



**NOTE:**  
 MUST USE FLEXIBLE CONNECTIONS ALL LOWER SIDEWALL FITTINGS

- NOTES**
- THIS IS A COMPUTER GENERATED DWG. DO NOT REVISE BY HAND.
  - 4 1/2" WIDE MOLDED IN GALLONAGE MARKERS @ 0° IN 50 GAL INCREMENTS UP TO 300 GAL - CENTRAL REGION ONLY. AVOID WHEN PLACING FITTINGS.
  - DIMENSIONS WILL VARY ±3% DUE TO VARIATIONS IN MULTIPLE MOLDS & CONDITIONS PREVALENT DURING MANUFACTURE & USAGE.

CALCULATED CAPACITIES/ VOLUME IN U.S. GALLONS		
DESIGN CAP	DOME VOL	TOTAL VOL
297	22	319

CONFIDENTIAL PROPERTY OF  
 POLY PROCESSING COMPANY  
 NOT FOR REPRINT OR USE  
 WITHOUT PERMISSION

DWG TITLE			
295 GALLON UPRIGHT TANK			
SCALE:	1"=1'-0"	 <b>POLYPROCESSING COMPANY</b>	DR:
DATE:	9/13/99		MB WILKERSON
		Central Region P.O. Box 4150 (71211) 2915 East Sterlington Rd. Monroe, LA 71203 (504) 343-7565 FAX (504) 343-8795	CK:
			D. RECTOR
		SHEET	COMPUTER FILE
		1 OF 1	1000295
			REV
			D