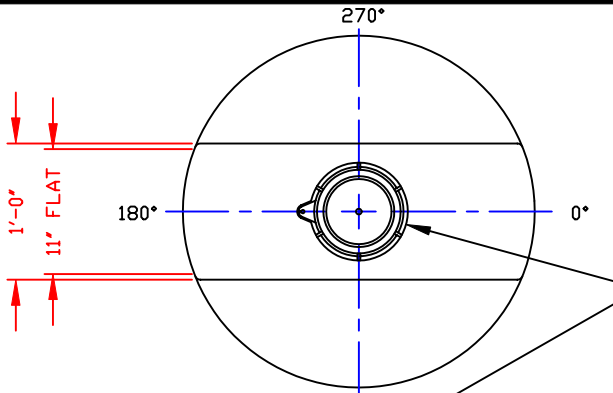


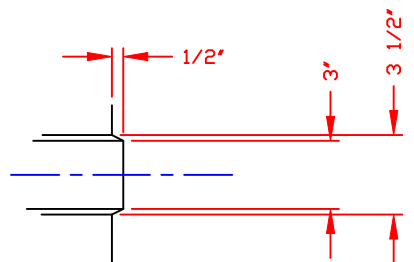
NON-CONTROLLED COPY
 INFORMATION SUBJECT TO CHANGE WITHOUT NOTICE
 COPY WILL NOT BE UPDATED

COPY ISSUED BY _____
 COPY ISSUED ON _____

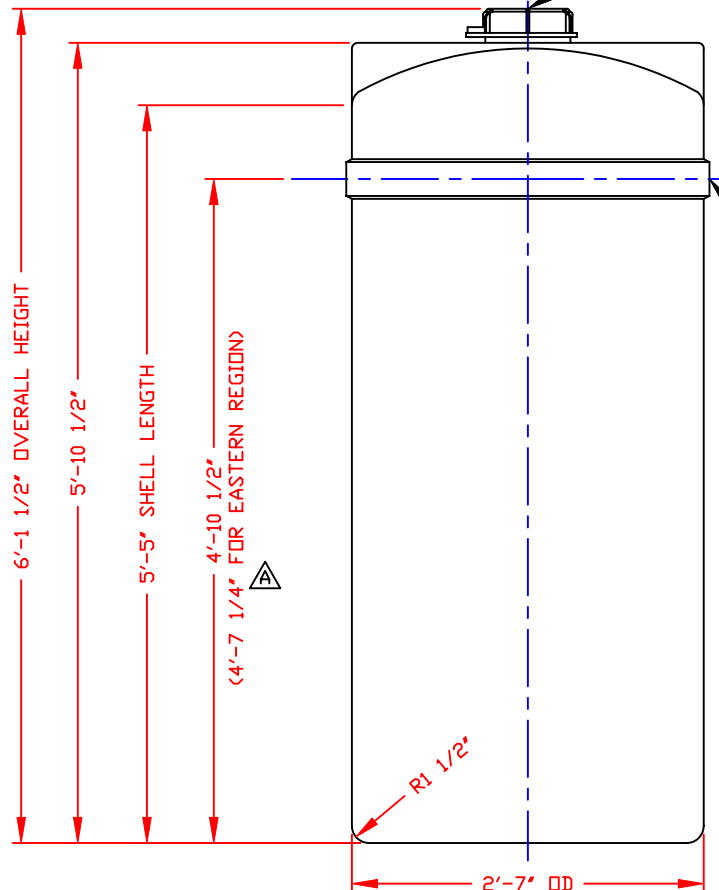
NOZZLE SCHEDULE & ACCESSORIES						
SERVICE	MK	STOCK NO.	SIZE	FITTING	DEG	ELEV



STANDARD COVER:
 7"/TH'D CAP/BLANK/
 CHMPLS/BLACK PE
 PPC STOCK NO. 4565
 OPTIONAL GASKETS:
 7"/TH'D CAP GSKT/CMPLAS/EPDM
 PPC STOCK NO. 5342
 7"/TH'D CAP GSKT/CMPLAS/BLACK VITON
 PPC STOCK NO. 5343
 OPTIONAL COVER:
 8"/LID W/RIM VENTED/BLACK PP
 PPC STOCK NO. 4802



DETAIL "A"
 SCALE: 2"=1'-0"
 NOT ALL MOLDS HAVE DETAIL



NOTE:
 MUST USE FLEXIBLE CONNECTIONS ALL LOWER SIDEWALL FITTINGS

- NOTES
1. THIS IS A COMPUTER GENERATED DWG. DO NOT REVISE BY HAND.
 2. 4 1/2" WIDE MOLDED IN GALLONAGE MARKERS @ 0° IN 25 GAL INCREMENTS UP TO 200 GAL - CENTRAL REGION ONLY. AVOID WHEN PLACING FITTINGS.
 3. DIMENSIONS WILL VARY ±3% DUE TO VARIATIONS IN MULTIPLE MOLDS & CONDITIONS PREVALENT DURING MANUFACTURE & USAGE.

CALCULATED CAPACITIES/ VOLUME IN U.S. GALLONS		
DESIGN CAP	DOME VOL	TOTAL VOL
207	7	214

CONFIDENTIAL PROPERTY OF
 POLY PROCESSING COMPANY
 NOT FOR REPRINT OR USE
 WITHOUT PERMISSION

DWG TITLE: 205 GALLON UPRIGHT TANK

SCALE: 1"=1'-0"

DATE: 9-10-99

POLY PROCESSING Company

Central Region
 P.O. Box 4150 (7121)
 2201 Old Stoneington Rd.
 Monroeville, LA 71203
 (504) 343-7565
 FAX (504) 343-6795

DR: MB WILKERSON
 CK: D. RECTOR

SHEET: 1 OF 1
 COMPUTER FILE: 1000205
 REV: B

REV "B" ADDED FITTING NOTE DR:MBW 2/11/03 CK:JB
 REV "A" ADDED NOTE DR:MBW 7/12/00 CK:JB