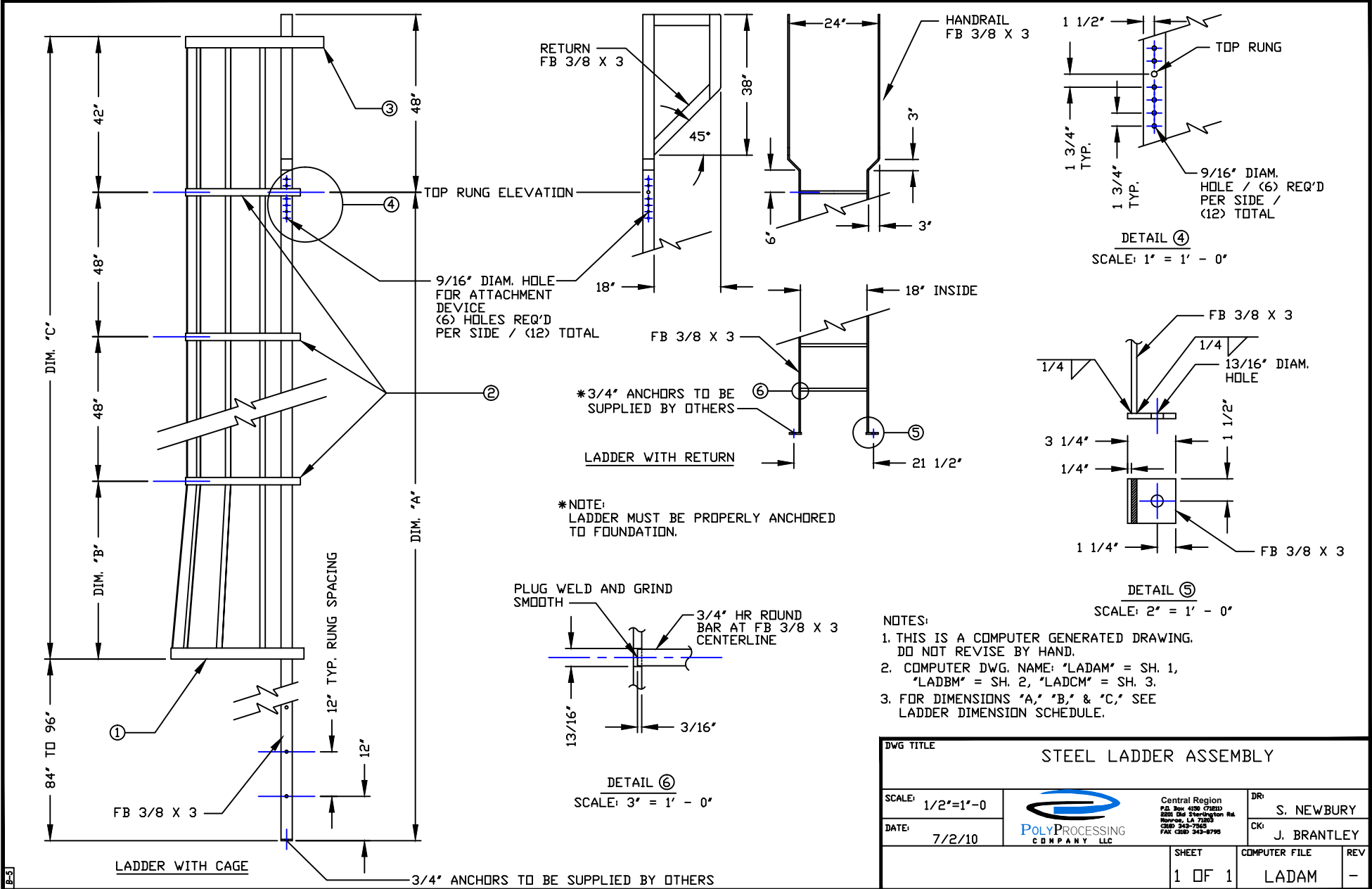


NON-CONTROLLED COPY  
 INFORMATION SUBJECT TO CHANGE WITHOUT NOTICE  
 VERIFY REV LEVEL OF PAPER COPY WITH REV LEVEL ON PPC WEB SITE



DWG TITLE		STEEL LADDER ASSEMBLY	
SCALE: 1/2"=1'-0		Central Region P.O. Box 4590 (71503) 2251 Old Springton Rd. Bossier, LA 71205 CSD: 343-7843 FAX: CSD: 343-9795	DR: S. NEWBURY
DATE: 7/2/10		CK: J. BRANTLEY	
		SHEET	COMPUTER FILE
		1 OF 1	LADAM
			REV -