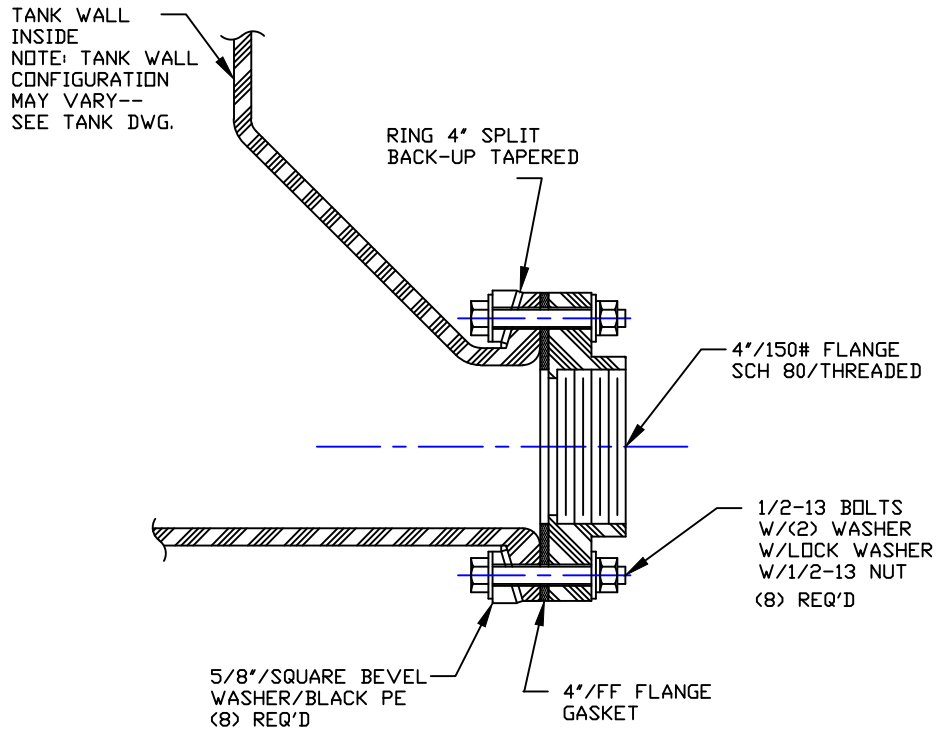



NON-CONTROLLED COPY
 INFORMATION SUBJECT TO CHANGE WITHOUT NOTICE
 VERIFY REV LEVEL OF PAPER COPY WITH REV LEVEL ON PPC WEB SITE

Fitting Material:
Bolt Type:
Gasket Material:



NOTES
 1. THIS IS A COMPUTER GENERATED DRAWING. DO NOT REVISE BY HAND.
 2. IF NECESSARY, TIGHTEN THE BOLTS ON THE FITTING BY PULLING DOWN THE NUTS DIAMETRICALLY OPPOSITE EACH OTHER IN SMALL INCREMENTS, USING A TORQUE WRENCH. TORQUE TO APPROX. 15/20 FT. LBS.

DWG TITLE			
4"/TAPERED IMFO NOZZLE (THREADED)			
SCALE:	3"=1'-0"	 Central Region P.O. Box 4150 (71211) 2201 Old Springington Rd. Monroe, LA 71203 CTRD 343-7543 FAX (504) 343-8795	DR: C. DAVIES
DATE:	4/28/10		CK: J. BRANTLEY
		SHEET	COMPUTER FILE
		1 OF 1	T4IMF0MTM
			REV -