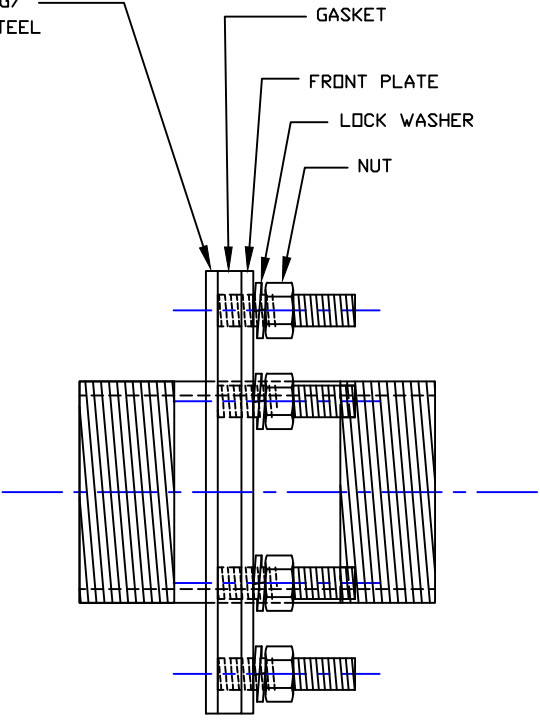


NON-CONTROLLED COPY
 INFORMATION SUBJECT TO CHANGE WITHOUT NOTICE
 VERIFY REV LEVEL OF PAPER COPY WITH REV LEVEL ON PPC WEB SITE

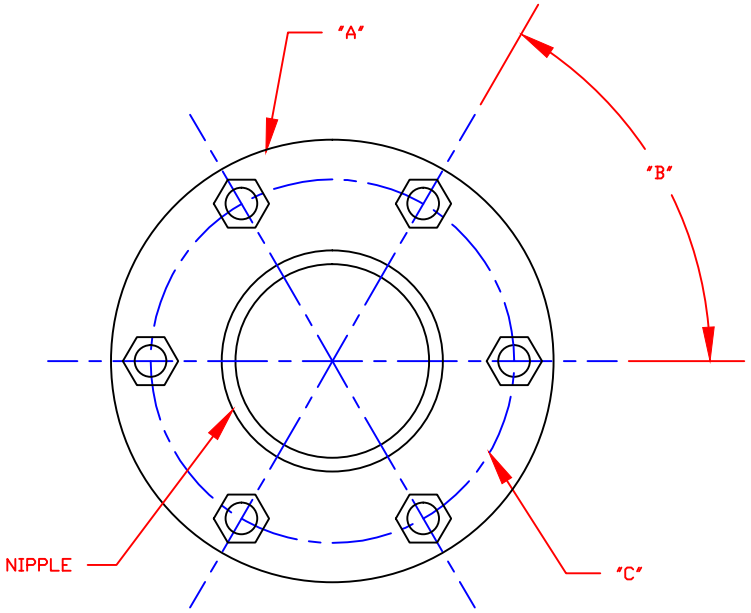
BULKHEAD FTG/
 STAINLESS STEEL

GASKET
 FRONT PLATE
 LOCK WASHER
 NUT




Fitting Size: _____

Gasket Material: _____



Size	Dimension			No. of Studs
	"A"	"B"	"C"	
3"	7"	60"	53/4"	6
4"	9"	45"	71/2"	8

DWG TITLE 3" - 4" STAINLESS STEEL BHF NIPPLE

SCALE: NONE	 Central Region P.O. Box 4599 71523 2284 Old Springington Rd. Norcross, LA 71205 CSB 343-7863 FAX CSB 343-9795	DR: J. BRANTLEY
DATE: 5/12/10		CK: C. DAVIES
SHEET 1 OF 1		COMPUTER FILE SSBHFNIP2M
REV -		