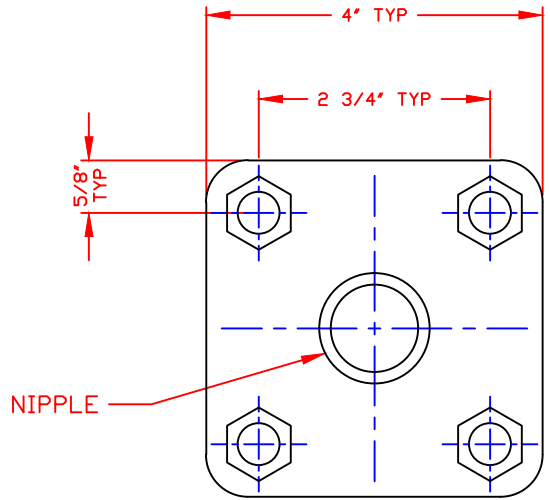
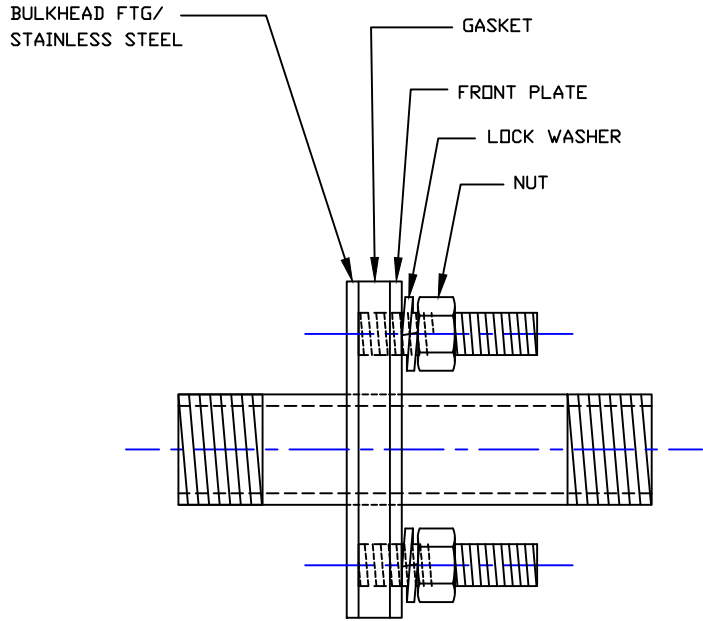


NON-CONTROLLED COPY
 INFORMATION SUBJECT TO CHANGE WITHOUT NOTICE
 VERIFY REV LEVEL OF PAPER COPY WITH REV LEVEL ON PPC WEB SITE

Fitting Size:
Gasket Material:



DWG TITLE		1/2" - 2" STAINLESS STEEL BHF NIPPLE		
SCALE:	NONE	 POLYPROCESSING <small>COMPANY LLC</small>	Central Region <small>P.O. Box 4599 • Gretna 2884 Old Sparlington Rd. Norfolk, VA 23505 CSB 343-7863 FAX CSB 343-9795</small>	DR: J. BRANTLEY
DATE:	5/12/10		CK: C. DAVIES	REV
SHEET		COMPUTER FILE	REV	
1 OF 1		SSBHFNIP1M	-	