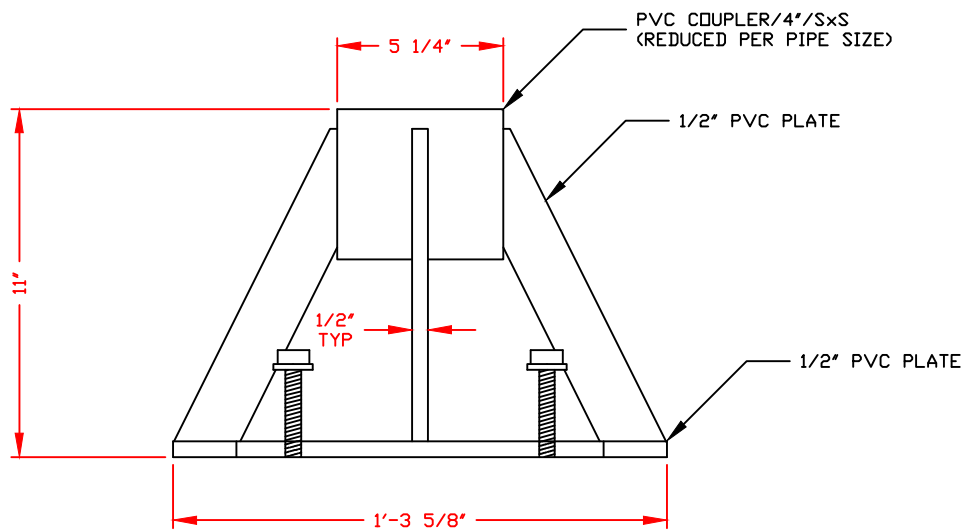
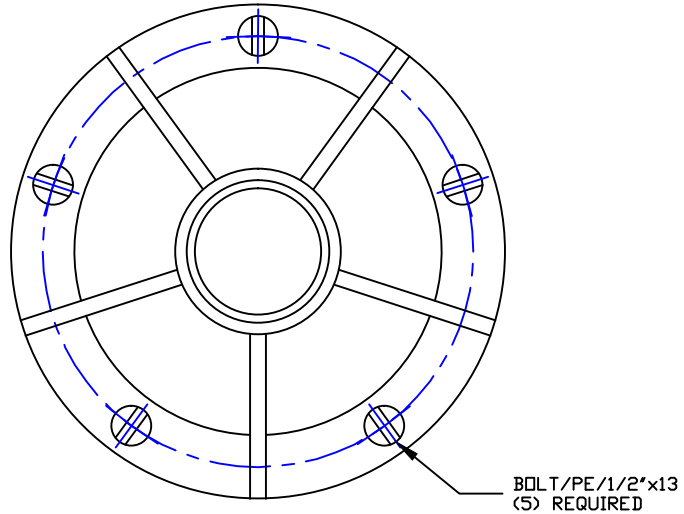



NON-CONTROLLED COPY
 INFORMATION SUBJECT TO CHANGE WITHOUT NOTICE
 VERIFY REV LEVEL OF PAPER COPY WITH REV LEVEL ON PPC WEB SITE



NOTES:
 1. THIS IS A COMPUTER GENERATED DWG. DO NOT REVISE BY HAND.
 2. PPC STOCK NO. 10324

DWG TITLE			
FREE STANDING INTERNAL PIPE SUPPORT			
SCALE:	3"=1'-0"	 Central Region P.O. Box 4589 (75053) 28th. Old Springtown Rd. Norwiche, LA 72652 CSD: 343-7862 FAX: (502) 343-9795	DR:
DATE:	4/04/11		CK:
		SHEET	COMPUTER FILE
		1 OF 1	PSSTANDM -