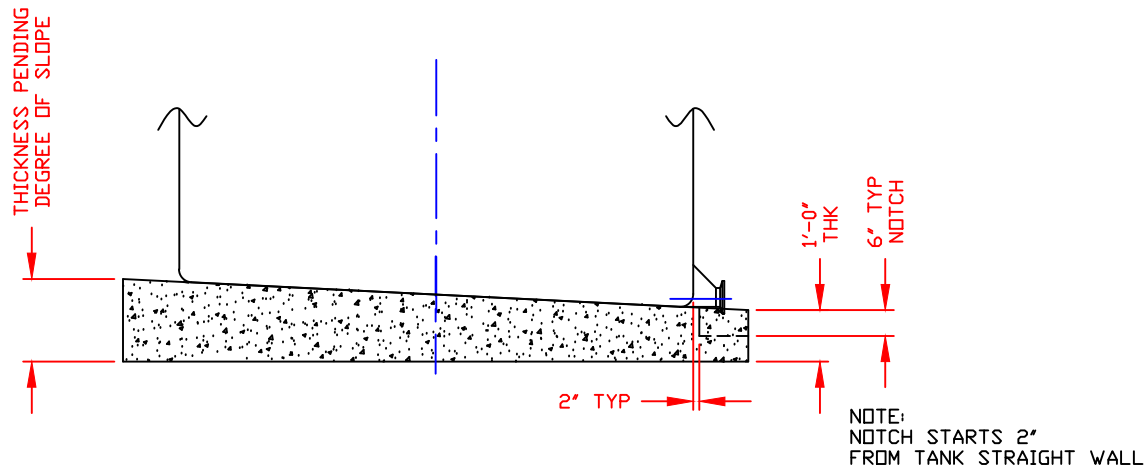



NOTE:
ELEVATED CONCRETE PAD
TO BE 24" LARGER THAN
TANK DIAMETER



NOTE:
DRAWING IS FOR DIMENSION REFERENCE ONLY
NOT INTENDED FOR FABRICATION

DWG TITLE		SQUARE CONCRETE IMFO PAD FOR SLOPE BOTTOM TANK	
SCALE:	3/8"=1'-0"	 Central Region P.O. Box 4159 (71281) 2201 Old Stearns Rd. Monroe, LA 71203 CTRD 343-7543 FAX (504) 343-8795	DR: B THURMON
DATE:	6/07/2021		CK: B. HARPER
REV *A* ADDED 15500 AND 6115 TANKS BY: BH 6/07/2021		SHEET	COMPUTER FILE
		1 OF 1	IMFOPADREVA A