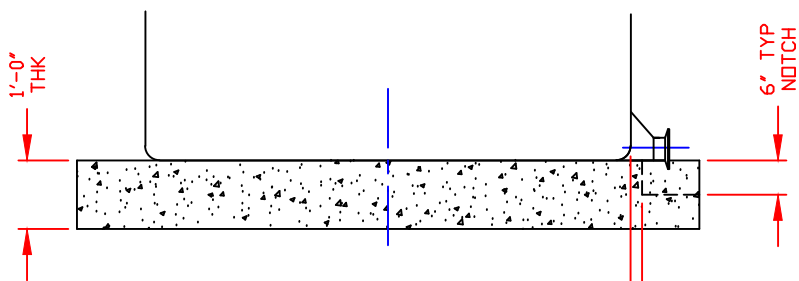
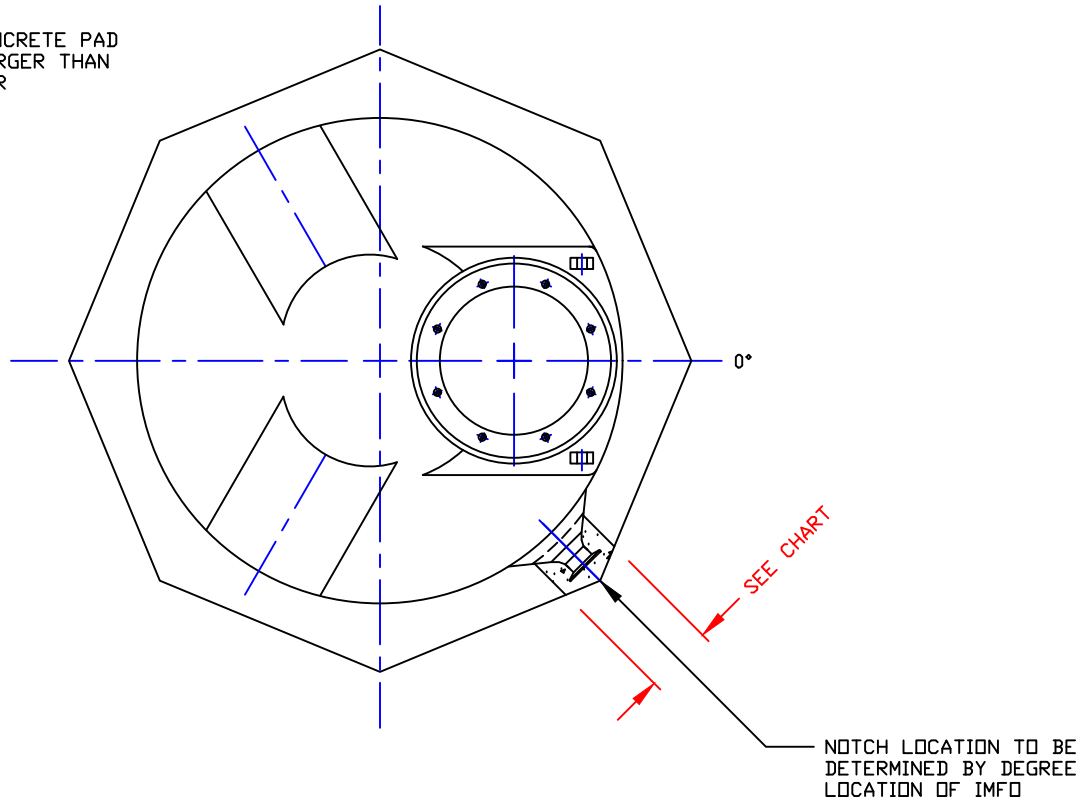



NOTE:  
ELEVATED CONCRETE PAD  
TO BE 24" LARGER THAN  
TANK DIAMETER



NOTE:  
NOTCH STARTS 2"  
FROM TANK STRAIGHT WALL

NOTE:  
DRAWING IS FOR DIMENSION REFERENCE ONLY  
NOT INTENDED FOR FABRICATION

DWG TITLE		OCTAGONAL CONCRETE IMFO PAD	
SCALE:	1/2"=1'-0"	 Central Region P.O. Box 4159 (71281) 2201 Old Stevington Rd. Monroe, LA 71203 CDD: 343-7543 FAX: 343-8795	DR:
DATE:	6/07/2021		B. HARPER
		SHEET	COMPUTER FILE
		1 OF 1	IMFOPAD0CTREVA
REV "A" ADDED 15500 AND 6115 TANKS BY: BH 6/07/2021		REV	XXXX