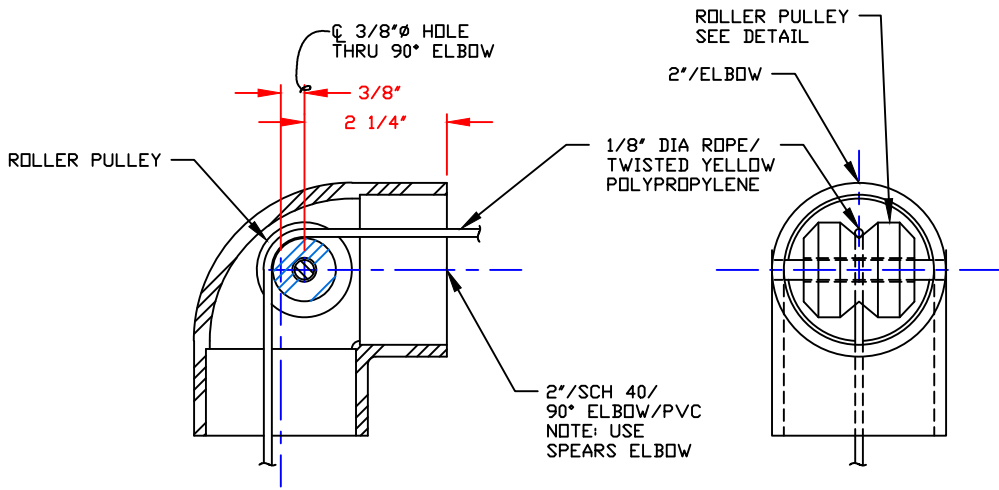
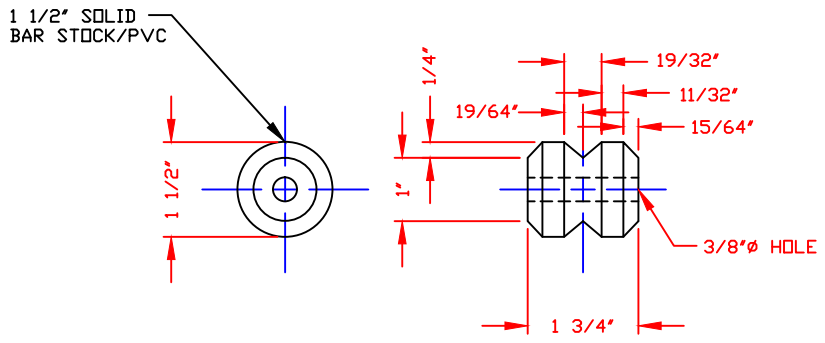


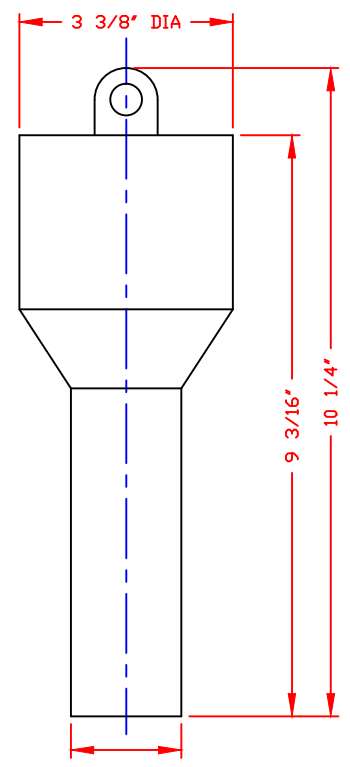
NON-CONTROLLED COPY
 INFORMATION SUBJECT TO CHANGE WITHOUT NOTICE
 VERIFY REV LEVEL OF PAPER COPY WITH REV LEVEL ON PPC WEB SITE



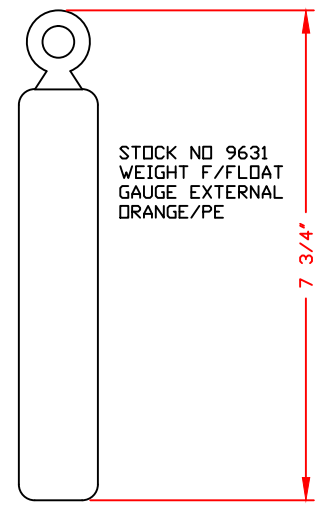
90° ELBOW W/ROLLER PULLEY
(2) REQ'D



ROLLER PULLEY DETAIL
(2) REQ'D




1 3/4" DIA
 FLOAT
 (1) REQ'D



LEVEL INDICATOR
(1) REQ'D

STOCK NO 9631
 WEIGHT F/FLOAT
 GAUGE EXTERNAL
 ORANGE/PE

NOTES
 1. THIS IS A COMPUTER GENERATED DWG. DO NOT REVISE BY HAND.

| | | | | |
|-----------|-------------|--|---------------|-------------|
| DWG TITLE | | FLOAT TYPE SIGHT GAUGE WEIGHT & PULLEY | | |
| SCALE: | SCALE: NONE |  Central Region P.O. Box 4590-7155D 2501 Old Swanton Rd. Norcross, GA 30052 CSB# 343-7863 FAX CSB# 343-9795 | DR: | S. NEWBURY |
| DATE: | 7/2/10 | | CK: | J. BRANTLEY |
| | | SHEET | COMPUTER FILE | REV |
| | | 1 OF 1 | FTSGWPM | - |