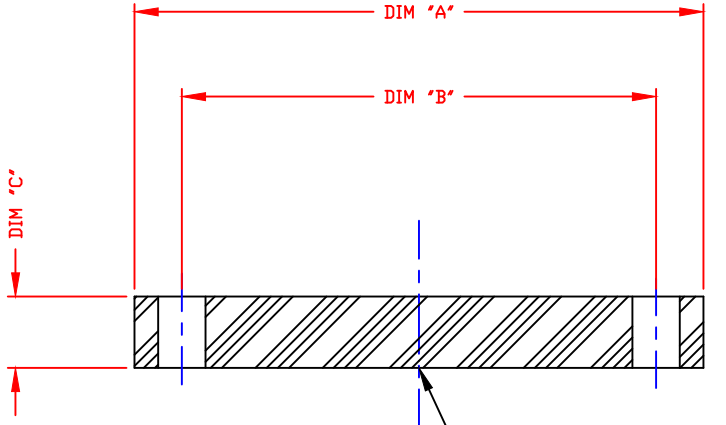


NON-CONTROLLED COPY  
 INFORMATION SUBJECT TO CHANGE WITHOUT NOTICE  
 VERIFY REV LEVEL OF PAPER COPY WITH REV LEVEL ON PPC WEB SITE


Fitting Size:
Fitting Material:
Gasket Material:

PIPE SIZE	DIM 'A'	DIM 'B'	DIM 'C'	DIA BOLT HOLES	NO. BOLT HOLES
3/4"	3 7/8"	2 3/4"	1/2"	1/2"	4
1"	4 1/4"	3 1/8"	5/8"	1/2"	4
1 1/2"	5"	3 7/8"	11/16"	1/2"	4
2"	6"	4 3/4"	3/4"	5/8"	4
3"	7 1/2"	6"	15/16"	5/8"	8
4"	9"	7 1/2"	1 1/8"	5/8"	8
6"	11"	9 1/2"	1 1/4"	3/4"	8
8"	13 1/2"	11 3/4"	1 7/16"	3/4"	8



SCH 80 BLIND FLANGE  
 150# ANSI DRILLING

- NOTES**
- THIS IS A COMPUTER GENERATED DWG. DO NOT REVISE BY HAND.
  - BLIND FLANGES MAY BE USED W/FLANGE ADAPTERS TO SEAL OFF NOZZLE. GASKET & BOLTING MATERIAL TO MATCH.

DWG TITLE				
BLIND FLANGE				
SCALE:	6"=1'-0"	 Central Region P.O. Box 4590 - Gretna 2254 Old Worthington Rd. Norcross, GA 30092 CSB: 343-7843 FAX CSB: 343-9795	DR:	C. DAVIES
DATE:	4/27/10		CK:	J. BRANTLEY
			SHEET	COMPUTER FILE
			1 OF 1	BLINDFLGM -