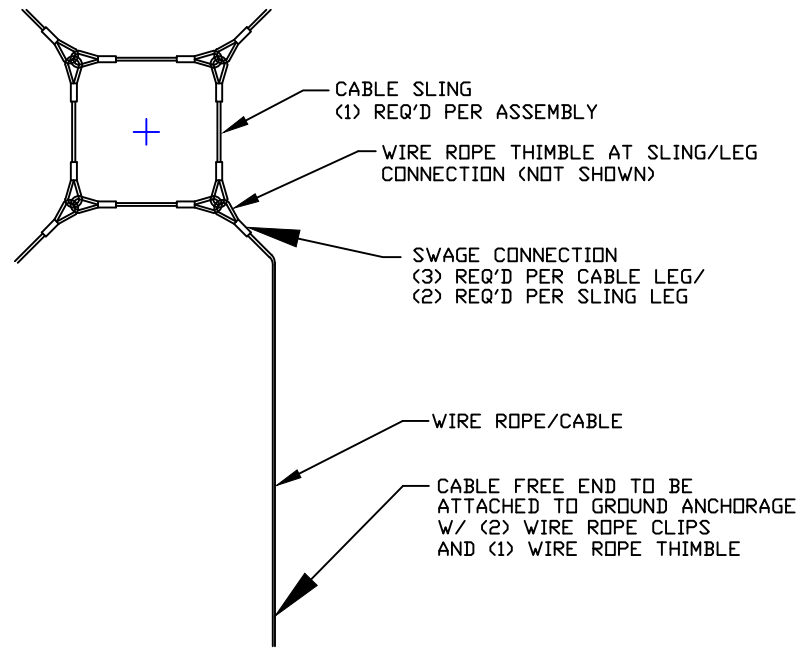
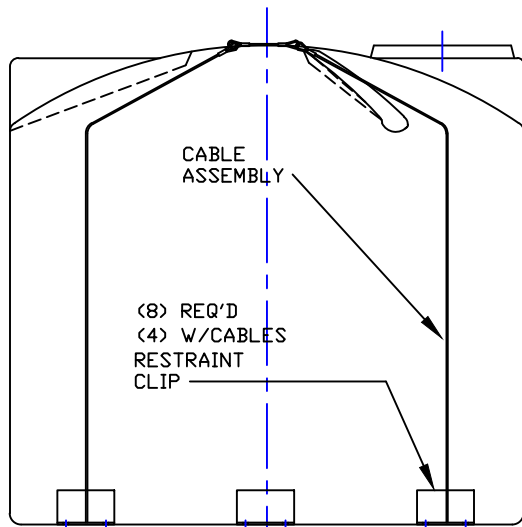


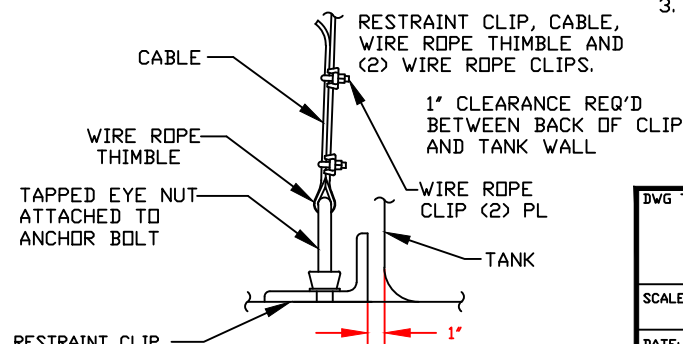
4-WAY CABLE / 8 RESTRAINT CLIP LAYOUT



CABLE ASSEMBLY
(ONE LEG SHOWN)



ELEVATION VIEW



RESTRAINT CLIP/CABLE CONNECTION

- NOTES:
1. THIS IS A COMPUTER GENERATED DRAWING. DO NOT REVISE BY HAND.
 2. ANCHOR BOLTS TO BE SUPPLIED BY OTHERS.
 3. ANCHOR BOLT LENGTH, EMBEDMENT AND METHOD OF ANCHORAGE TO BE DETERMINED BY A FOUNDATION ENGINEER UPON INSPECTION OF THE INSTALLATION SITE AND REVIEW OF THE APPLICABLE LOADS.

DWG TITLE		8 CLIP/ 4 CABLE OUTDOOR RESTRAINT SYSTEM A6-10 8 CLIP/4 CABLE SYSTEM	
SCALE: 1/2"=1'-0"		Central Region P.O. Box 4108 71213 2281 Old Sterlington Rd. Monroe, LA 71203 CISO 343-7343 FAX (318) 343-8795	DR: BHALL
DATE: 8/10/2017		CK: J.BRANTLEY	
REV 'A' DELETED EDGE SOFTENERS BY:JB 2/14/19		SHEET 1 OF 1	COMPUTER FILE A6-10 8 OUT A