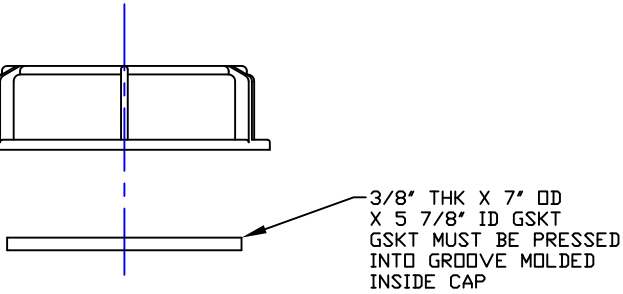
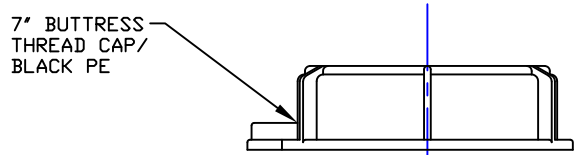
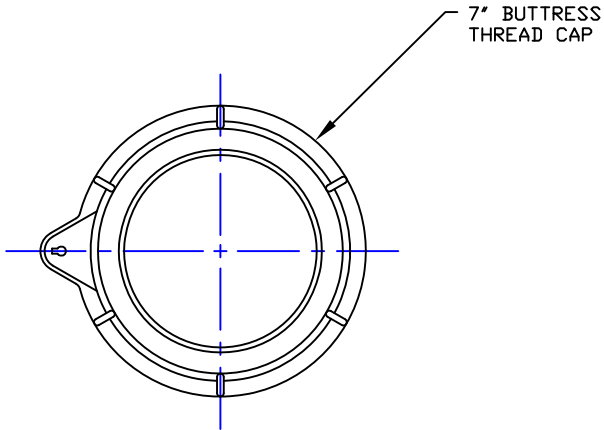



NON-CONTROLLED COPY  
 INFORMATION SUBJECT TO CHANGE WITHOUT NOTICE  
 VERIFY REV LEVEL OF PAPER COPY WITH REV LEVEL ON PPC WEB SITE

Gasket Material:



**NOTES**  
 1. THIS IS A COMPUTER GENERATED DWG. DO NOT REVISE BY HAND.  
 2. PPC STOCK NO. 4565

DWG TITLE		7" BUTRESS THREAD CAP		
SCALE:	3"=1'-0"	 POLYPROCESSING COMPANY LLC	Central Region P.O. Box 4159 (71211) 8201 Old Sterlington Rd. Monroe, LA 71203 (504) 343-7565 FAX (504) 343-8795	DR: S. NEWBURY
DATE:	7/16/10		CK: J. BRANTLEY	
		SHEET	COMPUTER FILE	REV
		1 OF 1	7BTCM	-