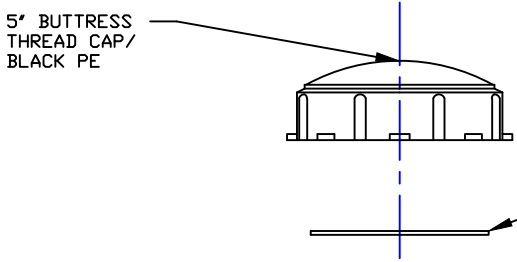
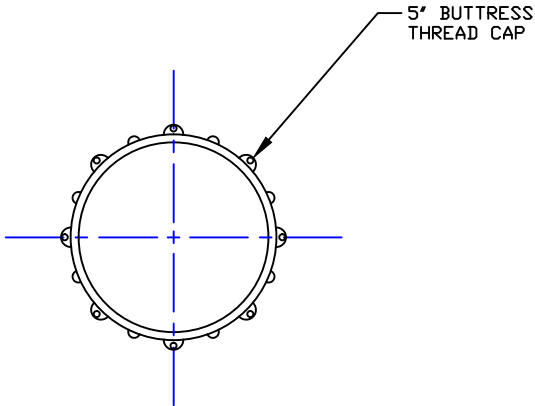



NON-CONTROLLED COPY
 INFORMATION SUBJECT TO CHANGE WITHOUT NOTICE
 VERIFY REV LEVEL OF PAPER COPY WITH REV LEVEL ON PPC WEB SITE

Gasket Material:



1/8" THK X 5 5/8" OD
 X 4 7/8" ID GSKT
 GSKT MUST BE PRESSED
 INTO GROOVE MOLDED
 INSIDE CAP

NOTES
 1. THIS IS A COMPUTER GENERATED DWG. DO NOT REVISE BY HAND.
 2. PPC STOCK NO. 4562

DWG TITLE		5" BUTRESS THREAD CAP		
SCALE:	3"=1'-0"	 POLYPROCESSING COMPANY LLC	Central Region <small>P.O. Box 4562 2501 Old Springton Rd. Norcross, LA 72002 CSB# 343-7863 FAX CSB# 343-9795</small>	DR: S. NEWBURY
DATE:	7/1/10		CK: J. BRANTLEY	
		SHEET	COMPUTER FILE	REV
		1 OF 1	5BTCM	-