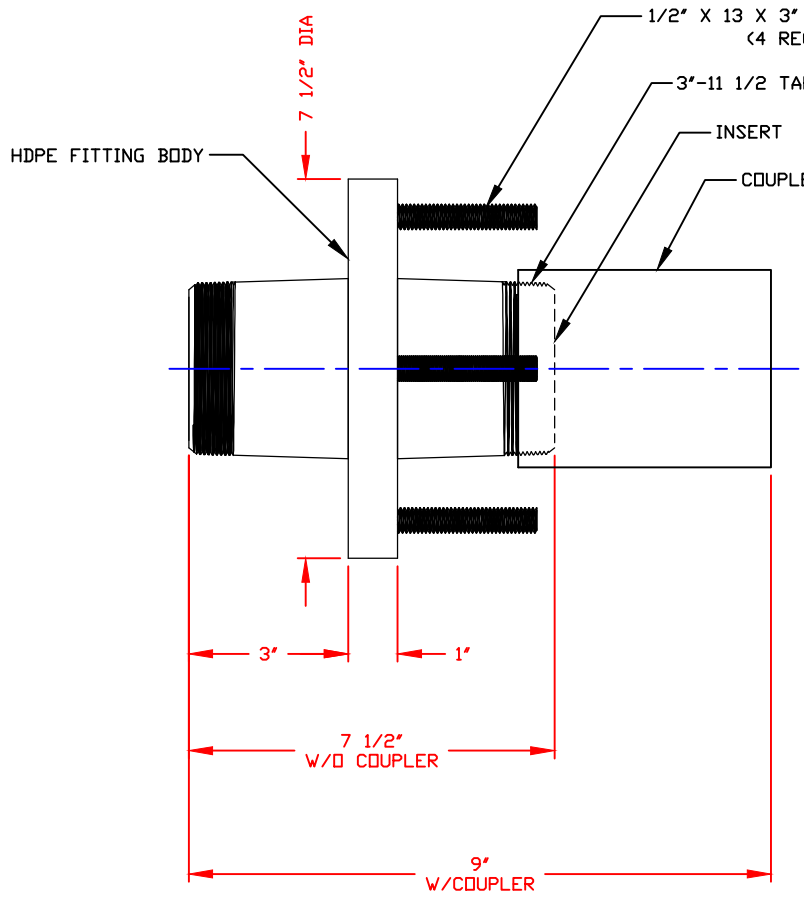
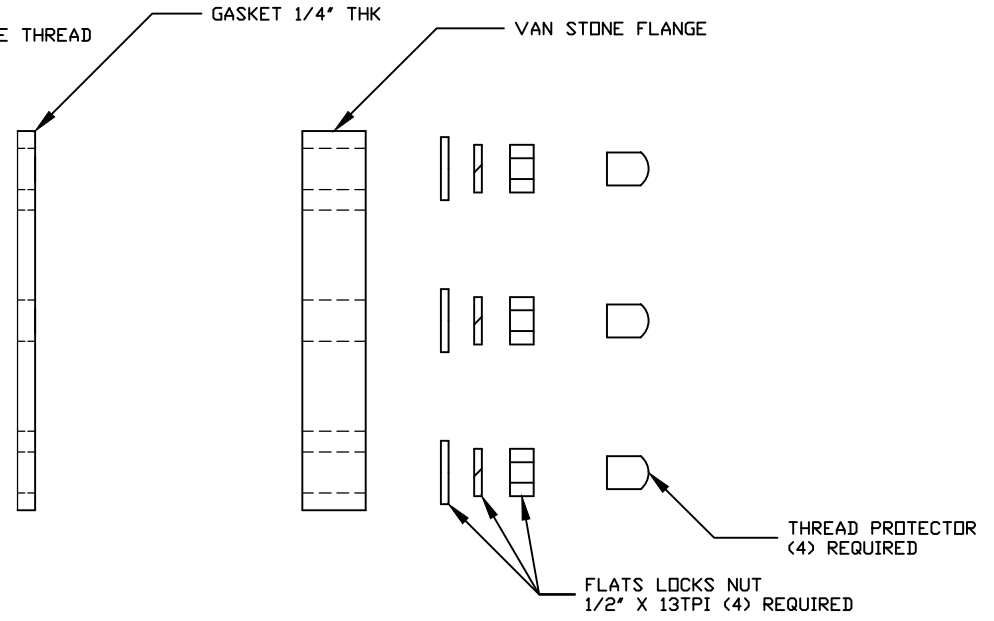


NON-CONTROLLED COPY  
 INFORMATION SUBJECT TO CHANGE WITHOUT NOTICE  
 VERIFY REV LEVEL OF PAPER COPY WITH REV LEVEL ON PPC WEB SITE



SIDE VIEW

Fitting Material:
Bolt Type:
Gasket Material:



DWG TITLE			
3" B.O.S.S. FITTING/PE			
SCALE:	NONE	 <small>Central Region          P.O. Box 4580 (71533)          2824 Old Springington Rd.          Norcross, LA 71202          CSID: 343-7843          FAX: CSID: 343-9795</small>	DR:
DATE:	4/28/10		C. DAVIES
			CK: J. BRANTLEY
		SHEET	COMPUTER FILE
		1 OF 1	3BOSSPEM
			REV
			-