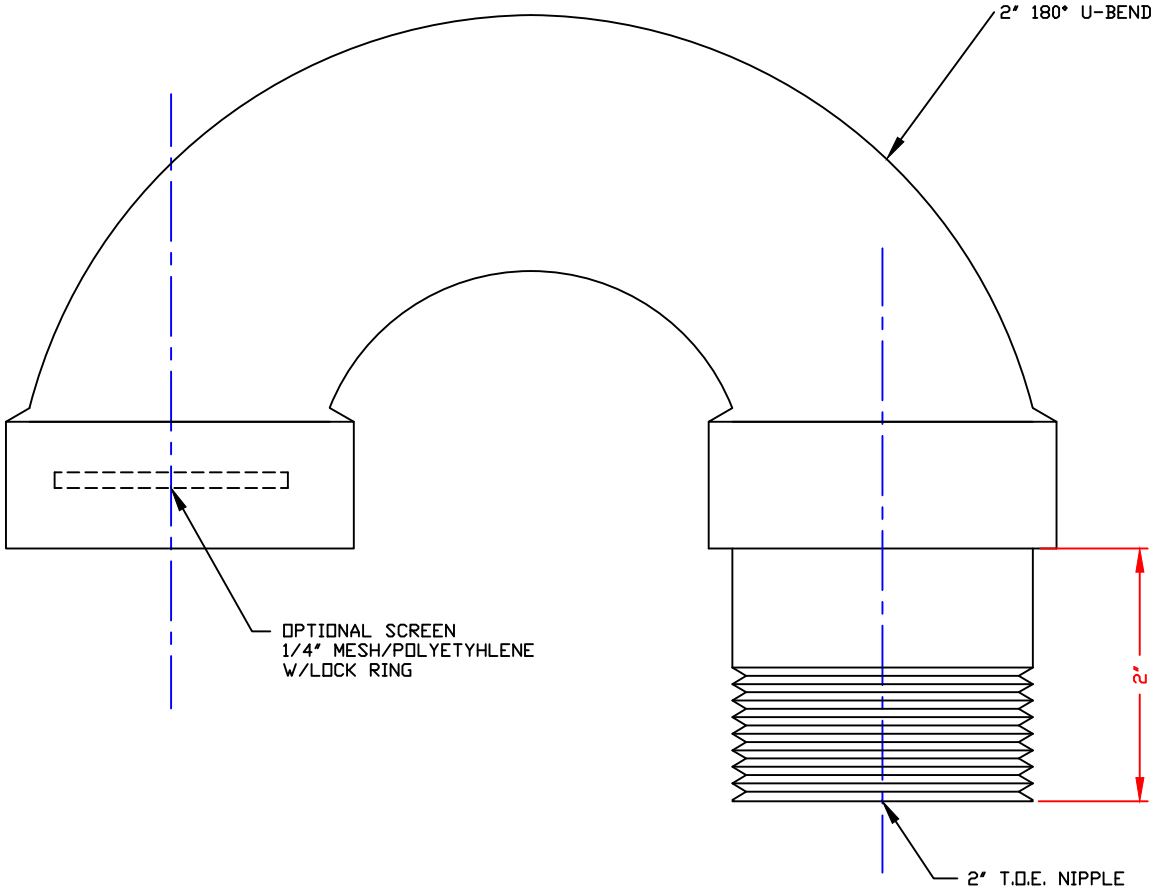



NON-CONTROLLED COPY
 INFORMATION SUBJECT TO CHANGE WITHOUT NOTICE
 VERIFY REV LEVEL OF PAPER COPY WITH REV LEVEL ON PPC WEB SITE

Fitting Material:
Gasket Material:



NOTES
 1. THIS IS COMPUTER GENERATED DWG. DO NOT REVISE BY HAND.
 2. TANKS TO BE DRILLED & TAPPED FOR 2" PIPE SIZE.

DWG TITLE		2" "U" VENT		
SCALE:	FULL	 Central Region P.O. Box 4599 (75053) 2854 Old Worthington Rd. Houston, LA 77055 CSB: 343-7843 FAX CSB: 343-9795	DR:	C. DAVIES
DATE:	4/27/10		CK:	J. BRANTLEY
		SHEET	COMPUTER FILE	REV
		1 OF 1	2UVENTM	-