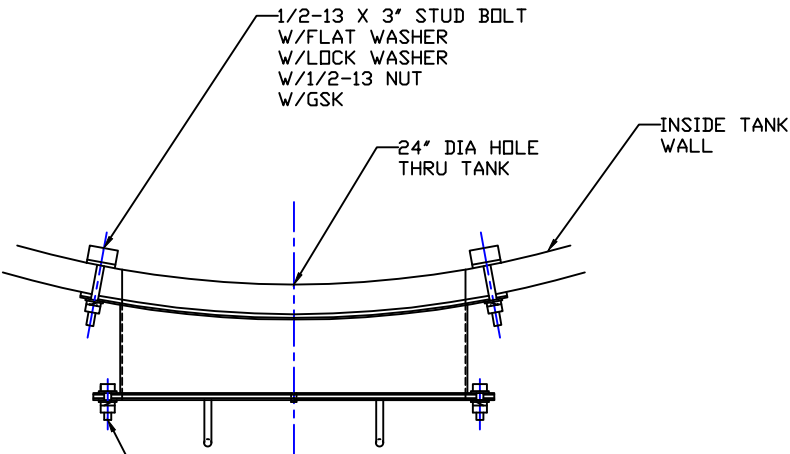


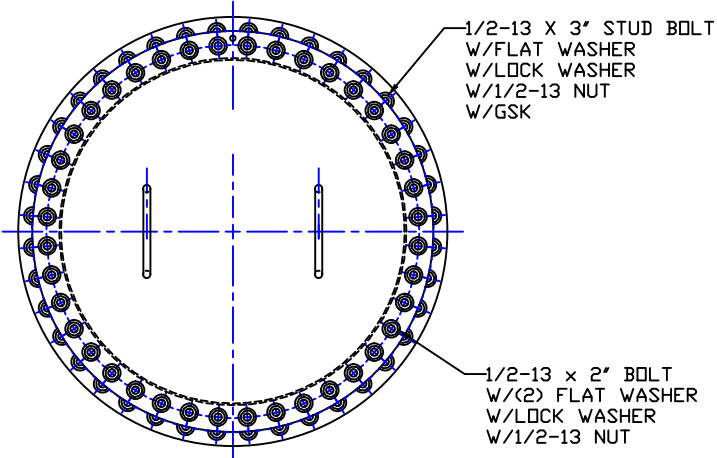
NON-CONTROLLED COPY
 INFORMATION SUBJECT TO CHANGE WITHOUT NOTICE
 VERIFY REV LEVEL OF PAPER COPY WITH REV LEVEL ON PPC WEB SITE

Fitting Material:
Bolt Type:
Gasket Material:



1/2-13 X 2" BOLT
 W/(2) FLAT WASHER
 W/LOCK WASHER
 W/1/2-13 NUT

PLAN




1/2-13 X 3" STUD BOLT
 W/FLAT WASHER
 W/LOCK WASHER
 W/1/2-13 NUT
 W/GSK

1/2-13 x 2" BOLT
 W/(2) FLAT WASHER
 W/LOCK WASHER
 W/1/2-13 NUT

ELEVATION

- NOTES:
 1. THIS IS A COMPUTER GENERATED DWG. DO NOT REVISE BY HAND.
 2. THIS SIDE MANWAY DESIGNED FOR 11'-11" OD, 10'-0" OD, 9'-2" OD & 8'-0" OD TANKS.

DWG TITLE			
24"/THRU-THE-WALL BOLTED ON SIDE MANWAY			
SCALE:	3"=1'-0"	 Central Region P.O. Box 4158 (71201) 2201 Old Springington Rd. Norcross, GA 30092 CELL 343-7563 FAX 303-343-8795	DR:
DATE:	7/1/10		CK:
SHEET		COMPUTER FILE	REV
1 OF 1		24SIDEMWYM	-