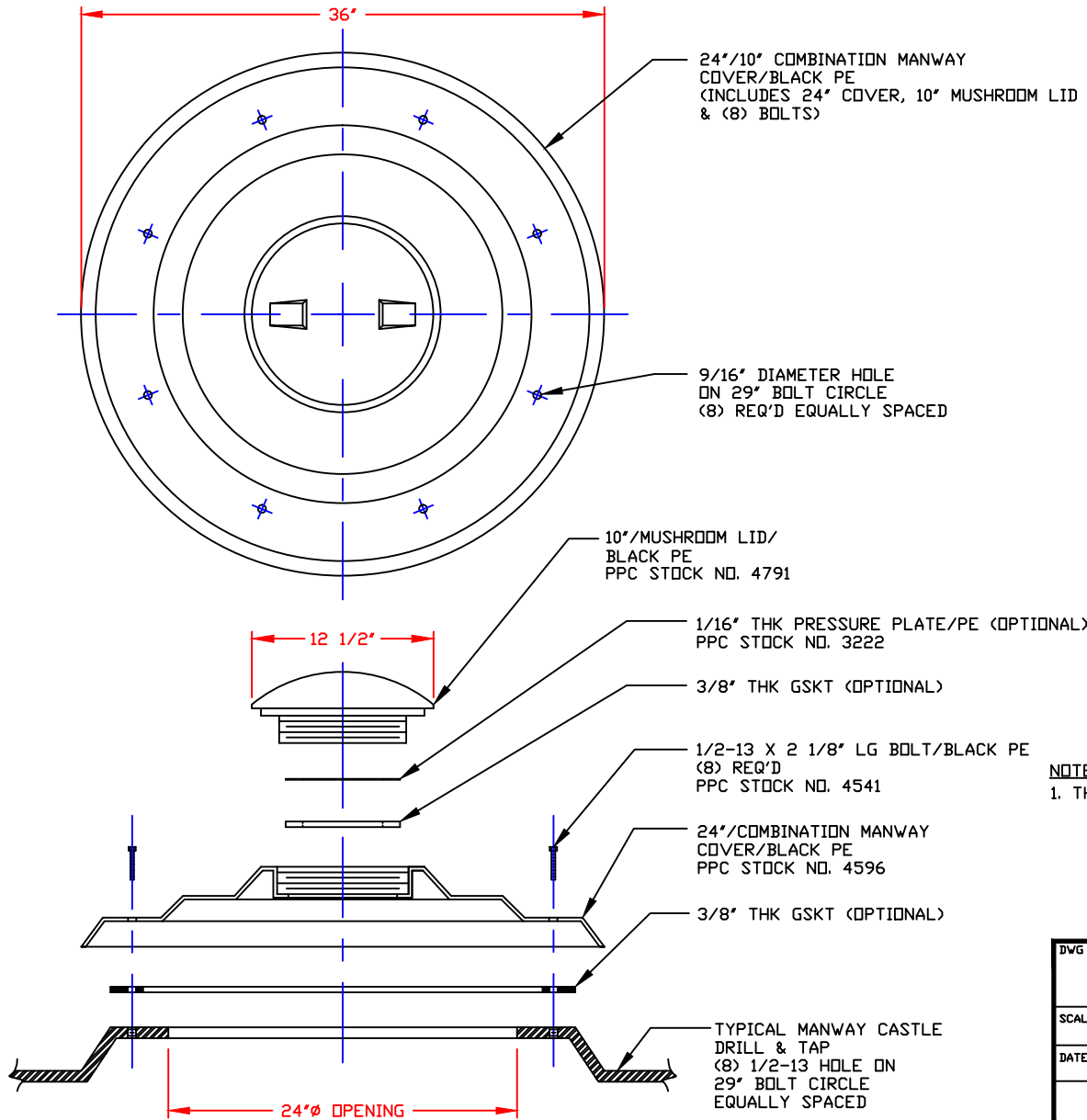



NON-CONTROLLED COPY  
 INFORMATION SUBJECT TO CHANGE WITHOUT NOTICE  
 VERIFY REV LEVEL OF PAPER COPY WITH REV LEVEL ON PPC WEB SITE

10" Gasket Material:
24" Gasket Material:



**NOTES:**  
 1. THIS IS A COMPUTER GENERATED DWG. DO NOT REVISE BY HAND.

DWG TITLE			
24"/10" COMBINATION MANWAY COVER			
SCALE: 1 1/2"=1'-0"	 PolyProcessing COMPANY LLC	Central Region P.O. Box 4599, 77053 2801 Old Springington Rd. Norcross, GA 30071 (770) 343-7863 FAX (770) 343-9795	DR: S. NEWBURY
DATE: 7/1/10		CK: J. BRANTLEY	
SHEET 1 OF 1		COMPUTER FILE 24CMWYM	REV -