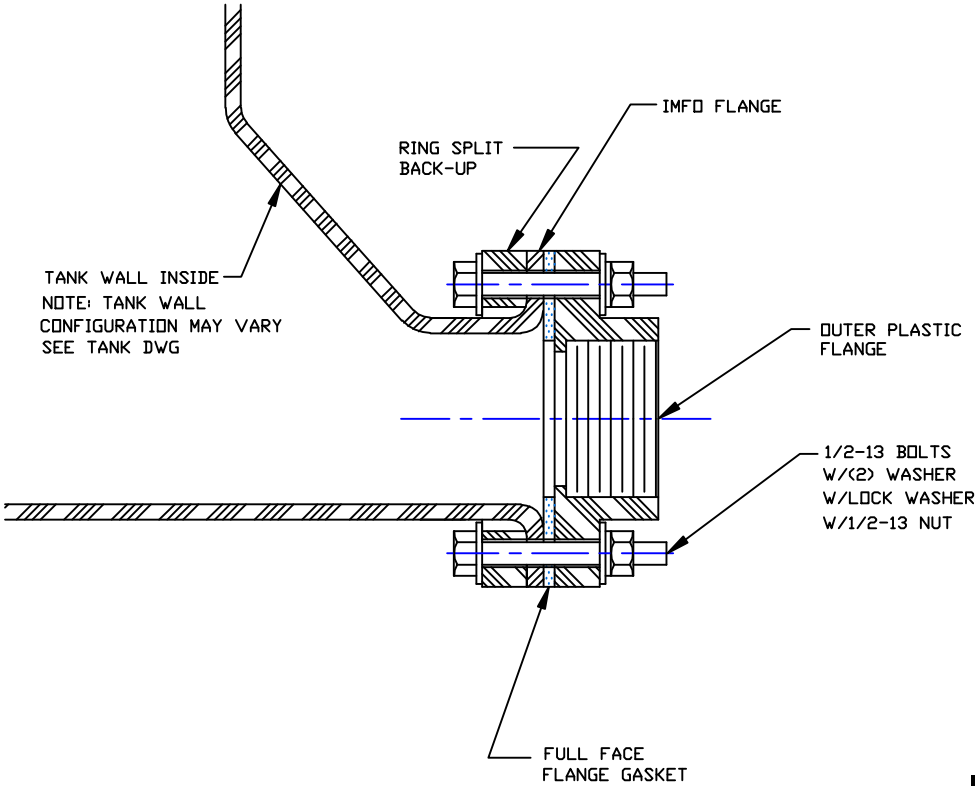



NON-CONTROLLED COPY
 INFORMATION SUBJECT TO CHANGE WITHOUT NOTICE
 VERIFY REV LEVEL OF PAPER COPY WITH REV LEVEL ON PPC WEB SITE

Fitting Size:
Fitting Material:
Bolt Type:
Gasket Material:



DWG TITLE			
2" & 3" FLAT BACK IMFO DETAIL			
SCALE:	6"=1'-0"	 POLY PROCESSING COMPANY LLC	Control Region P.O. Box 4550 71810 2800 Old Shreveport Rd Houma, LA 71803 (504) 342-7500 FAX (504) 343-8798
DATE:	11/17/10	DR:	J. BRANTLEY
		CK:	C. DAVIES
	SHEET	COMPUTER FILE	REV
	1 OF 1	2-3FLTIMFOM	-