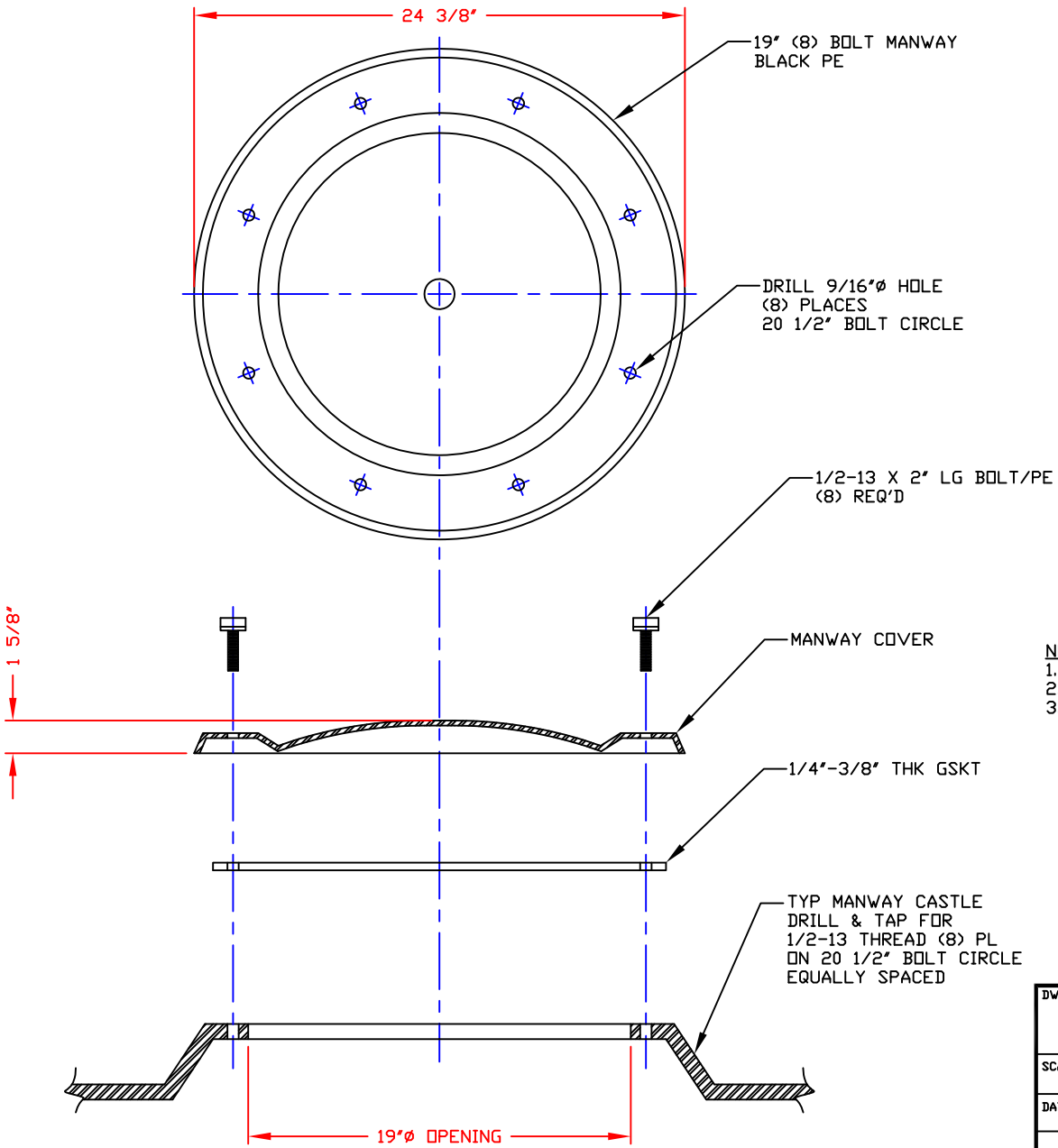



NON-CONTROLLED COPY
 INFORMATION SUBJECT TO CHANGE WITHOUT NOTICE
 VERIFY REV LEVEL OF PAPER COPY WITH REV LEVEL ON PPC WEB SITE

Gasket Material:



- NOTES**
1. THIS IS A COMPUTER GENERATED DWG. DO NOT REVISE BY HAND.
 2. PPC STOCK NO. 3214 (DOES NOT INCLUDE GSKT).
 3. ALSO AVAILBLE 4 BOLTS, PPC STOCK NO. 3213.

DWG TITLE		19" (8) BOLTED MANWAY COVER		
SCALE:	NONE	 Central Region P.O. Box 4150 (71811) 8801 Old Sterlington Rd. Monroe, LA 71203 (504) 343-7565 FAX (504) 343-8795	DR:	S. NEWBURY
DATE:	6/30/10		CK:	J. BRANTLEY
		SHEET	COMPUTER FILE	REV
		1 OF 1	19MWYM	-