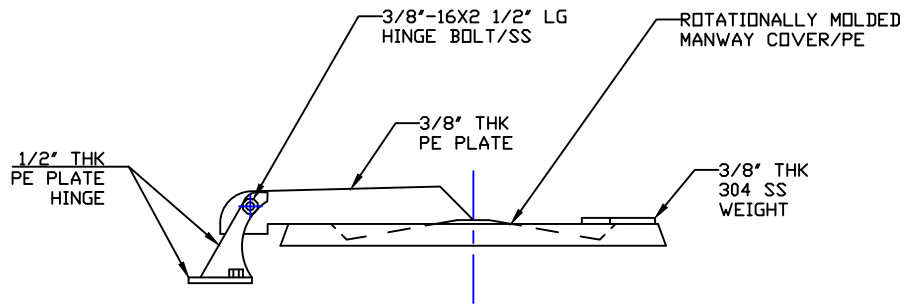
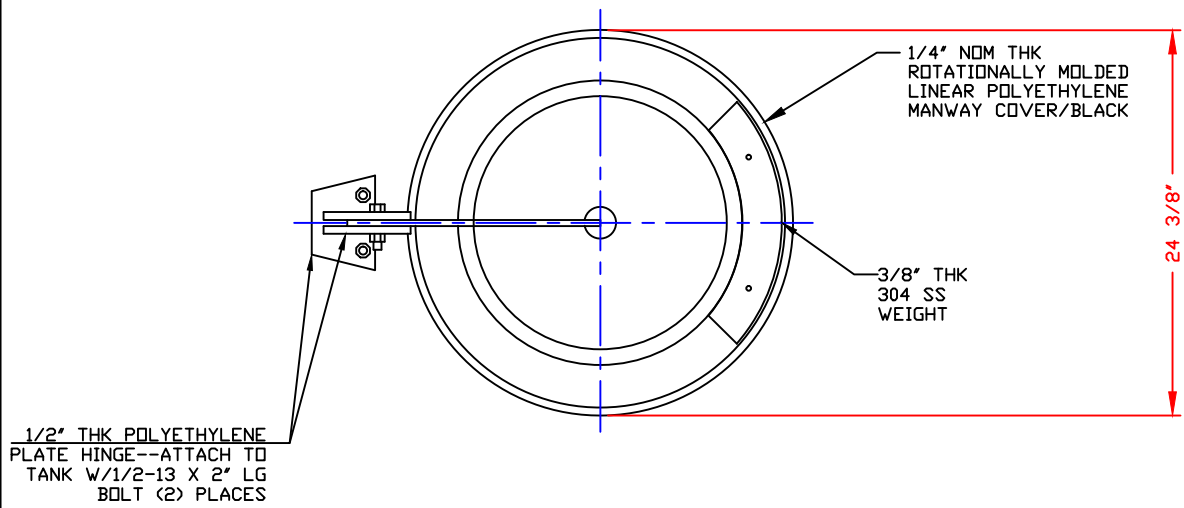



NON-CONTROLLED COPY
 INFORMATION SUBJECT TO CHANGE WITHOUT NOTICE
 VERIFY REV LEVEL OF PAPER COPY WITH REV LEVEL ON PPC WEB SITE

Gasket Material:



NOTES
 1. THIS IS A COMPUTER GENERATED DWG. DO NOT REVISE BY HAND.

DWG TITLE			
19"/WEIGHTED HINGED MANWAY COVER			
SCALE: 1 1/2"=1'-0"	 POLYPROCESSING COMPANY LLC	Central Region P.O. Box 4599 (75053) 2501 Old Springington Rd. Norcross, GA 30092 (770) 343-7863 FAX (770) 343-9795	DR: S. NEWBURY CK: J. BRANTLEY
DATE: 7/2/10		SHEET 1 OF 1	COMPUTER FILE 19HMWYM