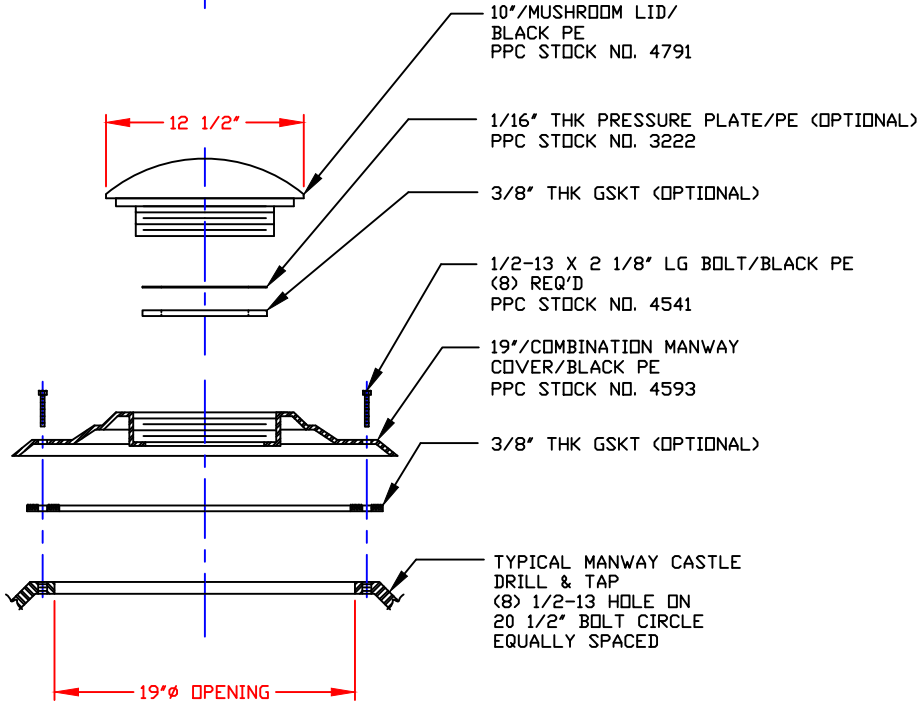
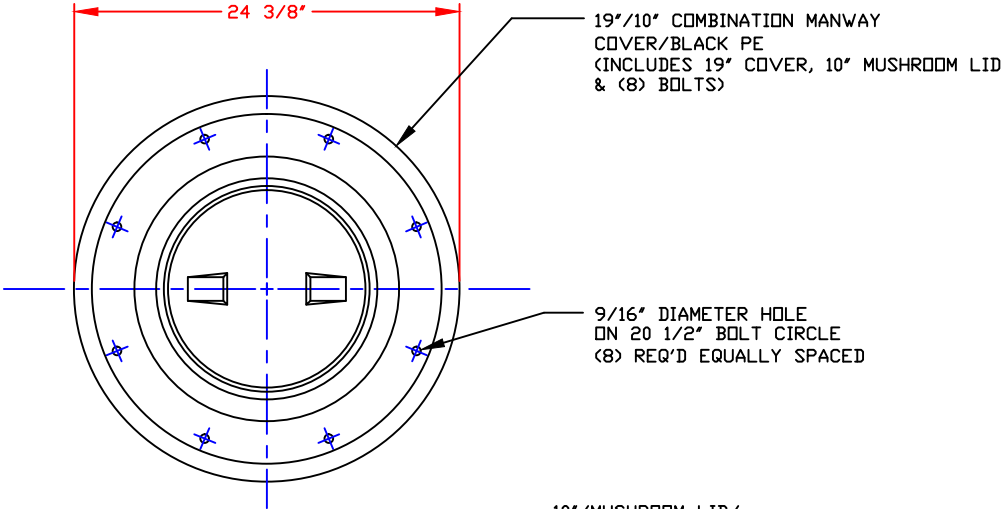



NON-CONTROLLED COPY  
 INFORMATION SUBJECT TO CHANGE WITHOUT NOTICE  
 VERIFY REV LEVEL OF PAPER COPY WITH REV LEVEL ON PPC WEB SITE

10" Gasket Material:
19" Gasket Material:



**NOTES**  
 1. THIS IS A COMPUTER GENERATED DWG. DO NOT REVISE BY HAND.

DWG TITLE			
19"/10" COMBINATION MANWAY COVER			
SCALE: 1 1/2"=1'-0"	 PolyProcessing COMPANY LLC	Central Region P.O. Box 4599 2254 Old Springton Rd. Norcross, GA 30092 (770) 343-7825 FAX (770) 343-9795	DR: S. NEWBURY CK: J. BRANTLEY
DATE: 7/1/10		SHEET 1 OF 1	COMPUTER FILE 19CMWYM