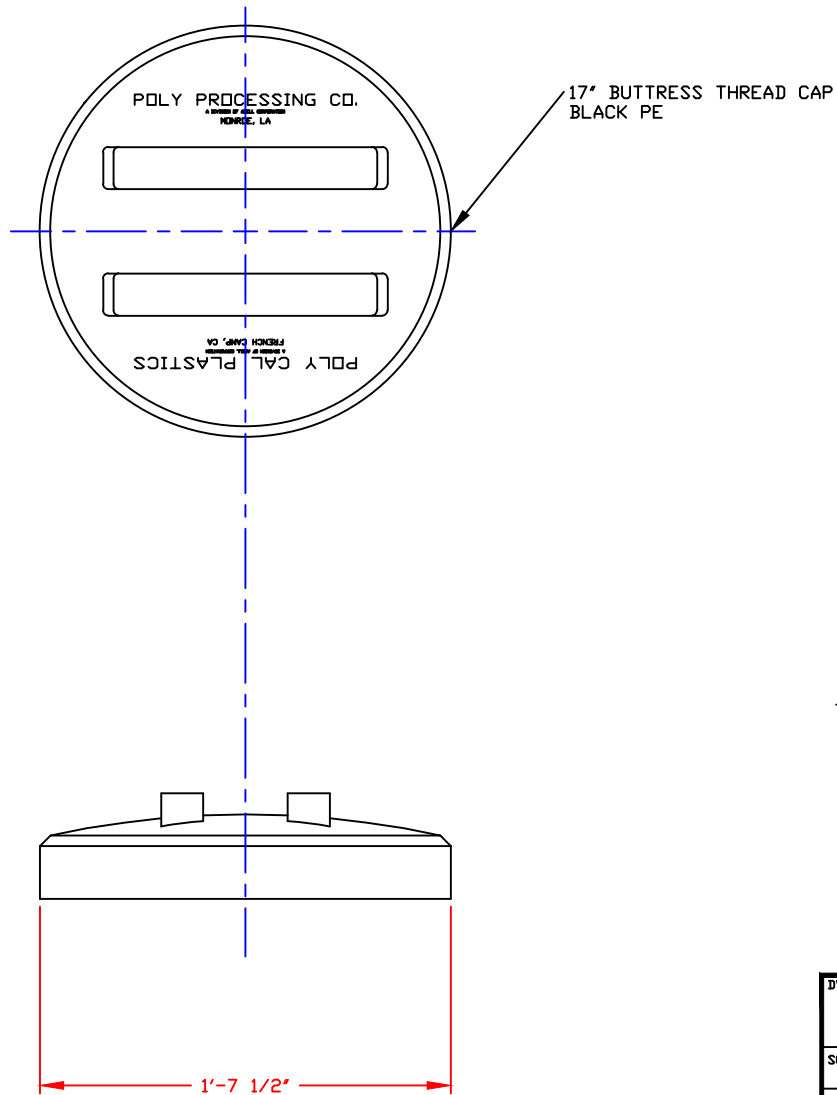



NON-CONTROLLED COPY
 INFORMATION SUBJECT TO CHANGE WITHOUT NOTICE
 VERIFY REV LEVEL OF PAPER COPY WITH REV LEVEL ON PPC WEB SITE

Gasket Material:



NOTES
 1. THIS IS A COMPUTER GENERATED DWG. DO NOT REVISE BY HAND.

| | | | |
|-------------------------|----------|---|---------------|
| DWG TITLE | | | |
| 17" BUTTRESS THREAD CAP | | | |
| SCALE: | 2"=1'-0" |  Central Region P.O. Box 4599 2254 Old Springington Rd. Monroe, LA 70005 CSD: 343-7863 FAX CSD: 343-9795 | DR: |
| DATE: | 4/1/10 | | CK: |
| | | SHEET | COMPUTER FILE |
| | | 1 OF 1 | 17BTCM |
| | | REV | - |