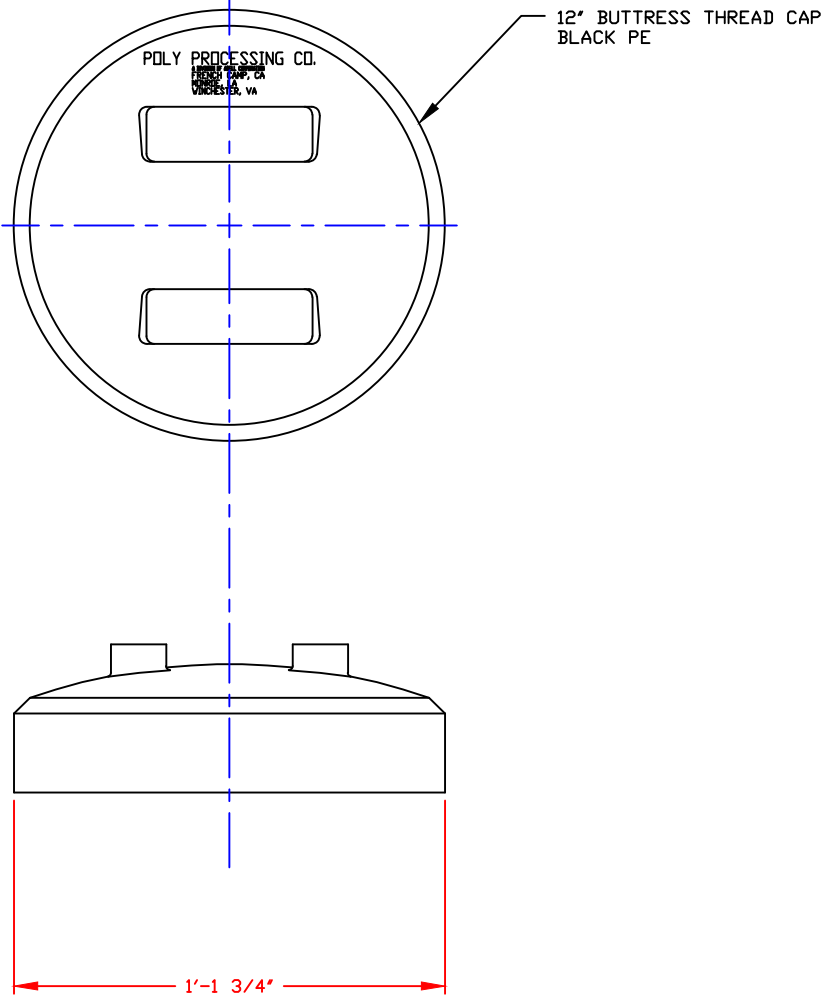



NON-CONTROLLED COPY
 INFORMATION SUBJECT TO CHANGE WITHOUT NOTICE
 VERIFY REV LEVEL OF PAPER COPY WITH REV LEVEL ON PPC WEB SITE

Gasket Material:



NOTES
 1. THIS IS A COMPUTER GENERATED DWG. DO NOT REVISE BY HAND.
 2. PPC STOCK NO. 5167.

DWG TITLE		12" BUTTRESS THREAD CAP		
SCALE:	3"=1'-0"	 PolyProcessing COMPANY LLC	Central Region P.O. Box 4599 2254 Old Starvation Rd. Norcross, GA 30092 CSB: 343-7843 FAX CSB: 343-9795	DR: S. NEWBURY
DATE:	7/1/10		CK: J. BRANTLEY	
		SHEET	COMPUTER FILE	REV
		1 OF 1	12BTCM	-