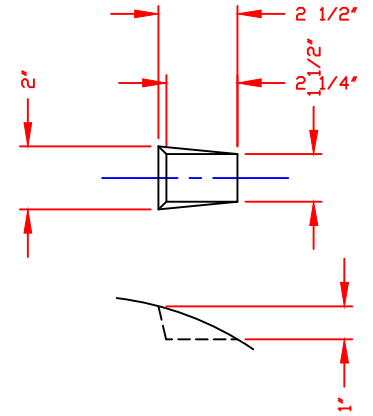
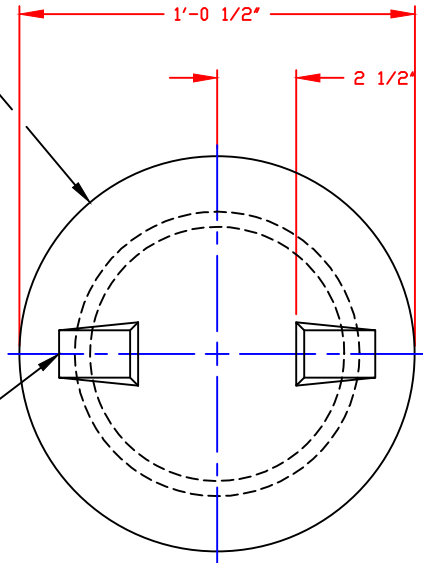


NON-CONTROLLED COPY
 INFORMATION SUBJECT TO CHANGE WITHOUT NOTICE
 VERIFY REV LEVEL OF PAPER COPY WITH REV LEVEL ON PPC WEB SITE

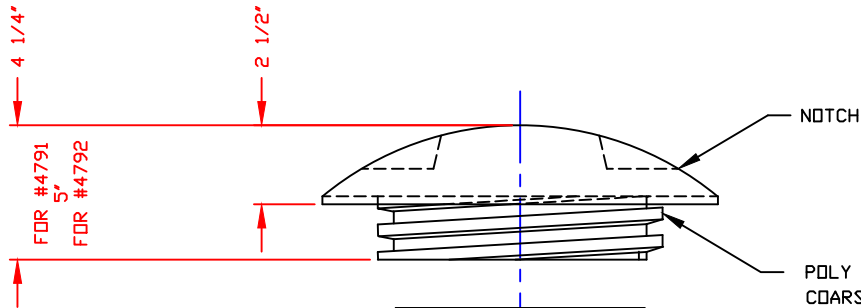
Gasket Material:

1/4" NOM THK
 ROTATIONALLY MOLDED
 LOW DENSITY POLYETHYLENE

NOTCH
 (2) PL
 SEE DTL



NOTCH DETAIL
 (2) PLACES



FDR #4791
 5"
 FDR #4792

NOTCH

POLY PROCESSING CO
 COARSE THREADS


1/16" THK X 7 7/8" OD/PE
 PUSH PLATE
 PPC ITEM NO 3222

TYP COARSE THREAD CONE

3/8" THK X 7 7/8" OD
 X 5 1/2" ID GSKT

NOTES

1. THIS IS A COMPUTER GENERATED DWG. DO NOT REVISE BY HAND.
2. STOCK NO. 4791 (BLACK), 4792 (WHITE)

DWG TITLE		10" MUSHROOM LID		
SCALE:	3"=1'-0"	 Central Region P.O. Box 4580 2824 Old Springington Rd. Norcross, GA 30092 (770) 343-7843 FAX (770) 343-9795	DR:	S. NEWBURY
DATE:	7/1/10		CK:	J. BRANTLEY
		SHEET	COMPUTER FILE	REV
		1 OF 1	10MSLIDM	-