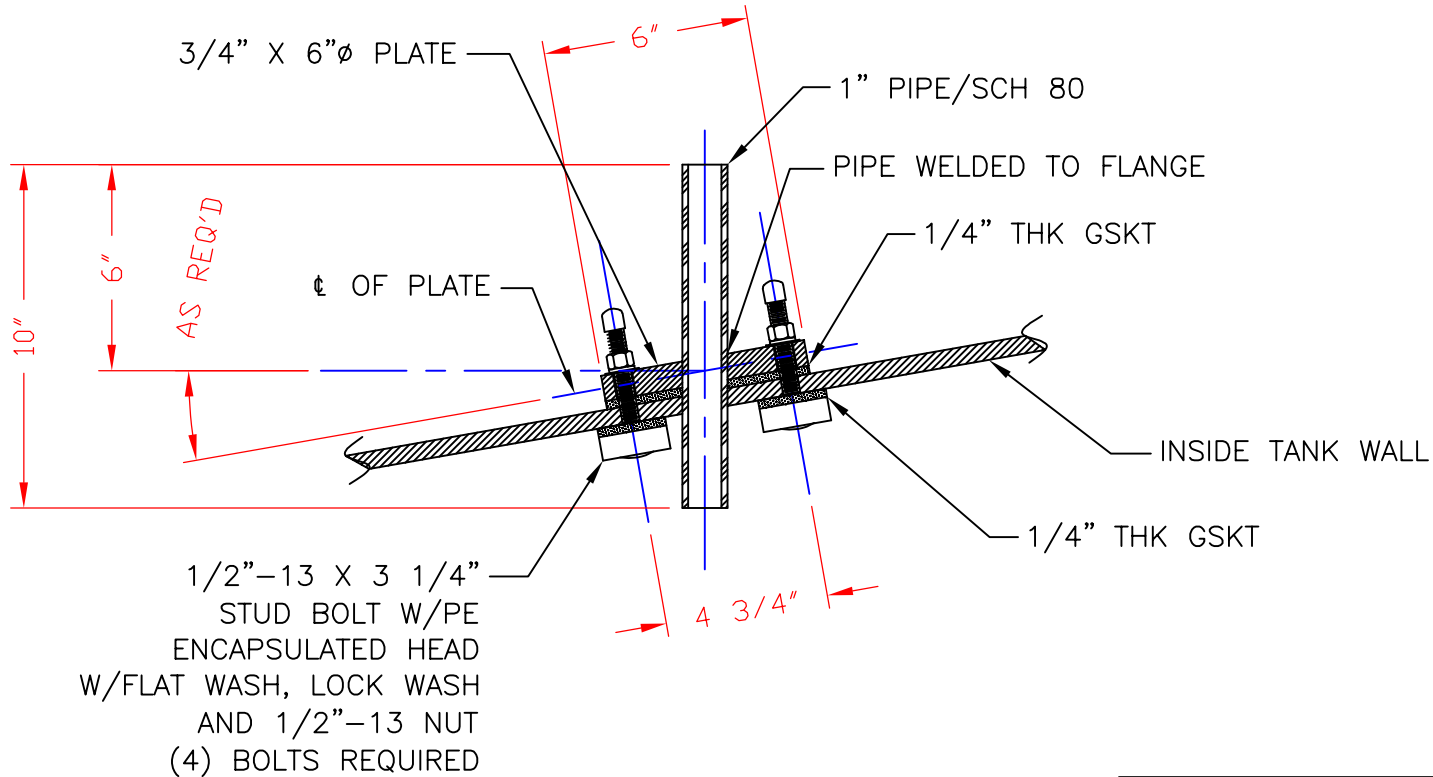


NON-CONTROLLED COPY
 INFORMATION SUBJECT TO CHANGE WITHOUT NOTICE
 VERIFY REV LEVEL OF PAPER COPY WITH REV LEVEL ON PPC WEB SITE


Fitting Material:
Bolt Type:
Gasket Material:
Flange Adapter Req'd:



1/2"-13 X 3 1/4"
 STUD BOLT W/PE
 ENCAPSULATED HEAD
 W/FLAT WASH, LOCK WASH
 AND 1/2"-13 NUT
 (4) BOLTS REQUIRED

CONFIDENTIAL PROPERTY OF
 POLY PROCESSING COMPANY
 NOT FOR REPRINT OR USE
 WITHOUT PERMISSION

NOTE:
 1. THIS IS A COMPUTER DWG. DO NOT REVISE BY HAND.

DWG TITLE			
1" MADE VERTICAL FITTING			
SCALE:	3"=1'-0"	 Central Region P.O. Box 4150 71513 2215 Old Shreveport Rd. Monroe, LA 71203 CUB: 243-7655 FAX: 243-6795	DR:
DATE:	08/09/2016		CK:
SHEET		COMPUTER FILE	REV
1 OF 1		MVFTG1M	-