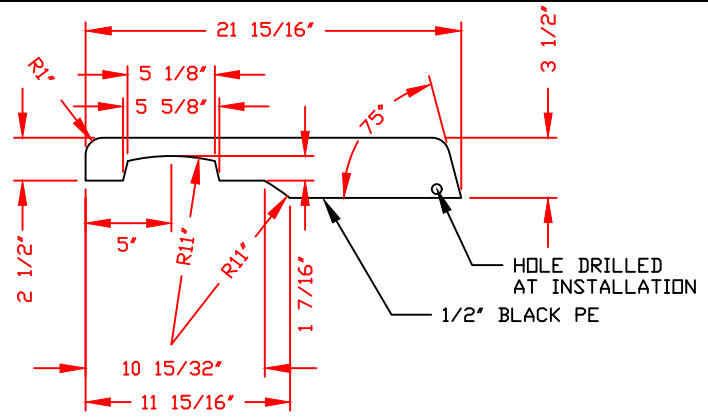
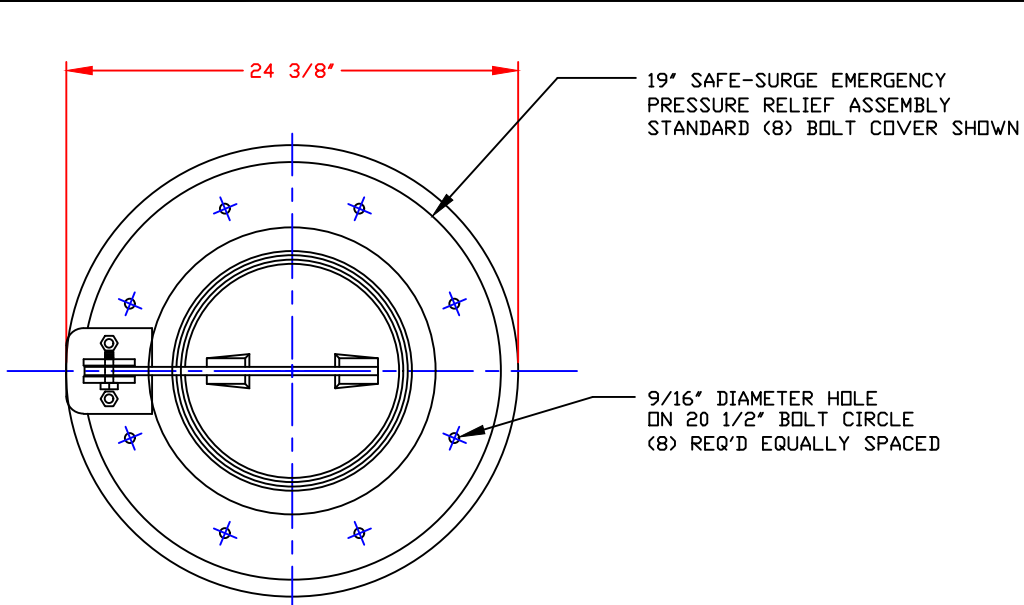
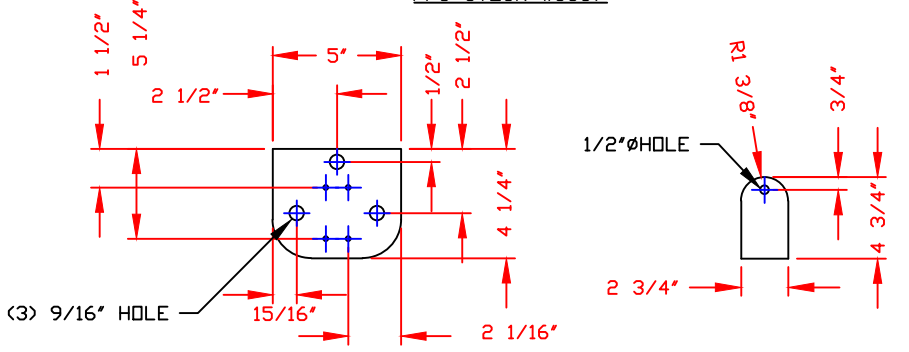


NON-CONTROLLED COPY
 INFORMATION SUBJECT TO CHANGE WITHOUT NOTICE
 VERIFY REV LEVEL OF PAPER COPY WITH REV LEVEL ON PPC WEB SITE



HINGE ARM (1) REQ'D
 PPC STOCK #8337



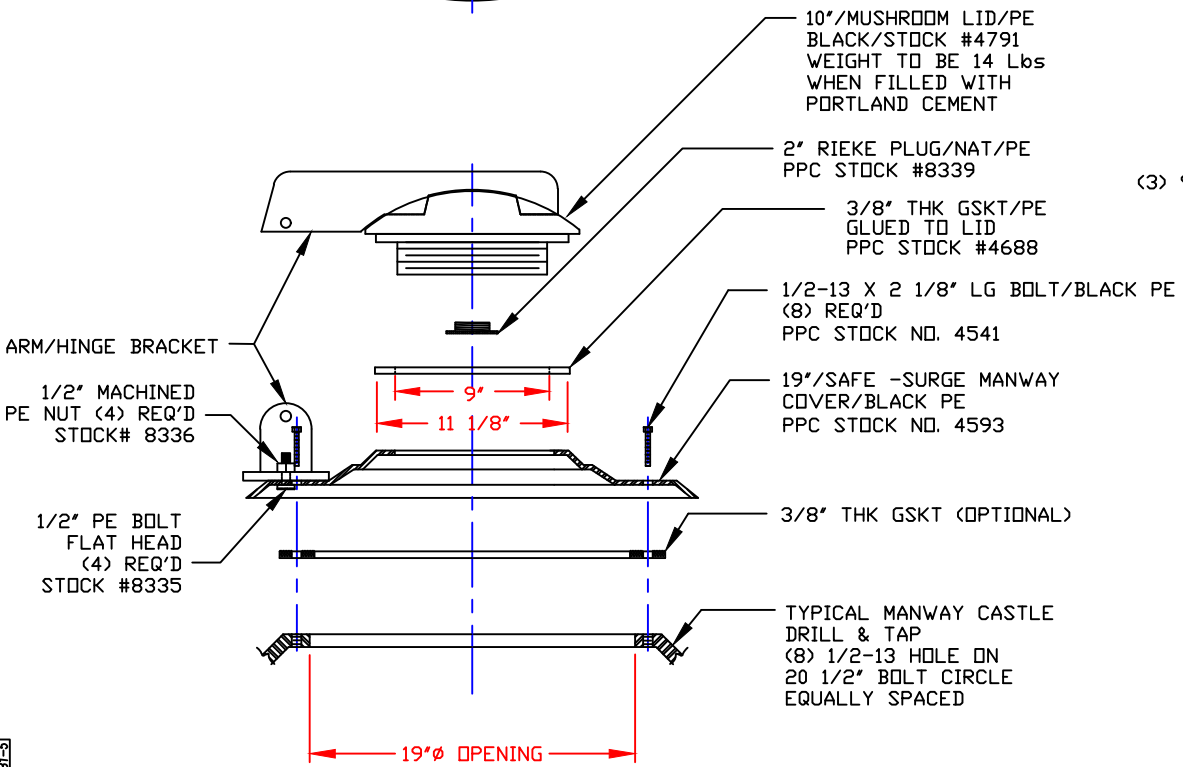
BASE PLATE 3/8" THK/BLK/PE (1) REQ'D
 SCALE: NONE

HINGE PLATE 3/8" THK
 BLK/PE (2) REQ'D

HINGE BRACKET DETAIL "A"
 PPC STOCK #8341

NOTES
 1. THIS IS A COMPUTER GENERATED DWG. DO NOT REVISE BY HAND.
 2. PPC STOCK NO. 3216.

CONFIDENTIAL PROPERTY OF
 POLY PROCESSING COMPANY
 NOT FOR REPRINT OR USE
 WITHOUT PERMISSION



DWG TITLE			
19" SAFE-SURGE EMERGENCY PRESSURE RELIEF ASSEMBLY			
SCALE:	1 1/2"=1'-0"		Central Region P.O. Box 4158 2801 Old Starlington Rd. Norcross, LA 71203 CHD: 343-7565 FAX CHD: 343-8795
DATE:	8/2/10		DR: J. BRANTLEY CK: B THURMON
SHEET		COMPUTER FILE	REV
1 OF 1		19MWYSS	