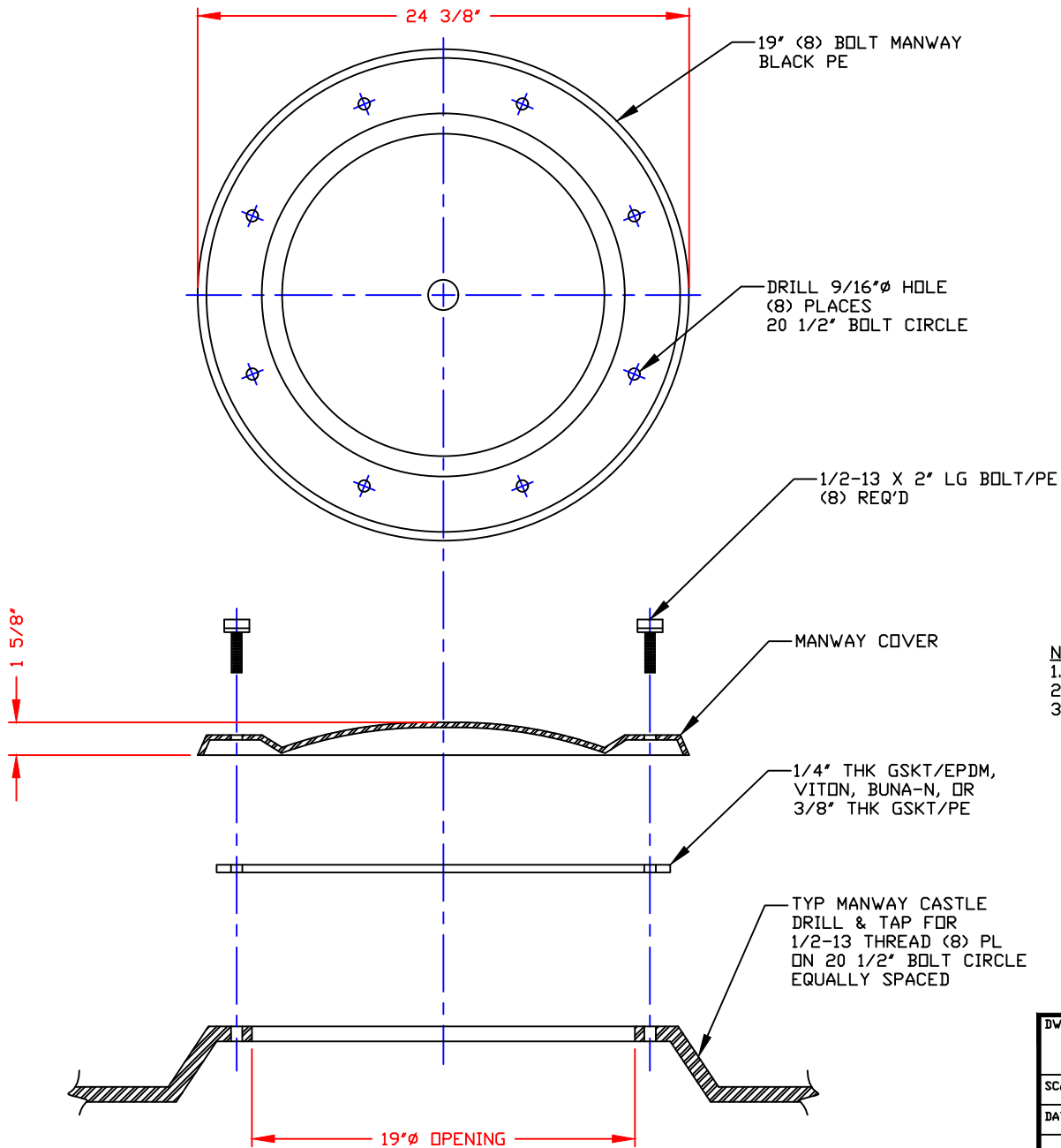


NON-CONTROLLED COPY INFORMATION SUBJECT TO CHANGE WITHOUT NOTICE COPY WILL <u>NOT</u> BE UPDATED	COPY ISSUED BY..... COPY ISSUED ON.....
--	--



- NOTES**
1. THIS IS A COMPUTER GENERATED DWG. DO NOT REVISE BY HAND.
  2. PPC STOCK NO. 3214 (DOES NOT INCLUDE GSKT).
  3. ALSO AVAILBLE 4 BOLTS. PPC STOCK NO. 3213.

CONFIDENTIAL PROPERTY OF  
 POLY PROCESSING COMPANY  
 NOT FOR REPRINT OR USE  
 WITHOUT PERMISSION

DWG TITLE			
19" (8) BOLT MANWAY COVER			
SCALE:	2"=1'-0"		DR: MB WILKERSON
DATE:	11/1/00		CK: J. BRANTLEY
		SHEET	COMPUTER FILE
		1 OF 1	19MWY -

Central Region  
 P.O. Box 4758 (7251)  
 2201 Old Sterlington Rd.  
 Monroe, LA 71203  
 (504) 343-7545  
 FAX (504) 343-8795