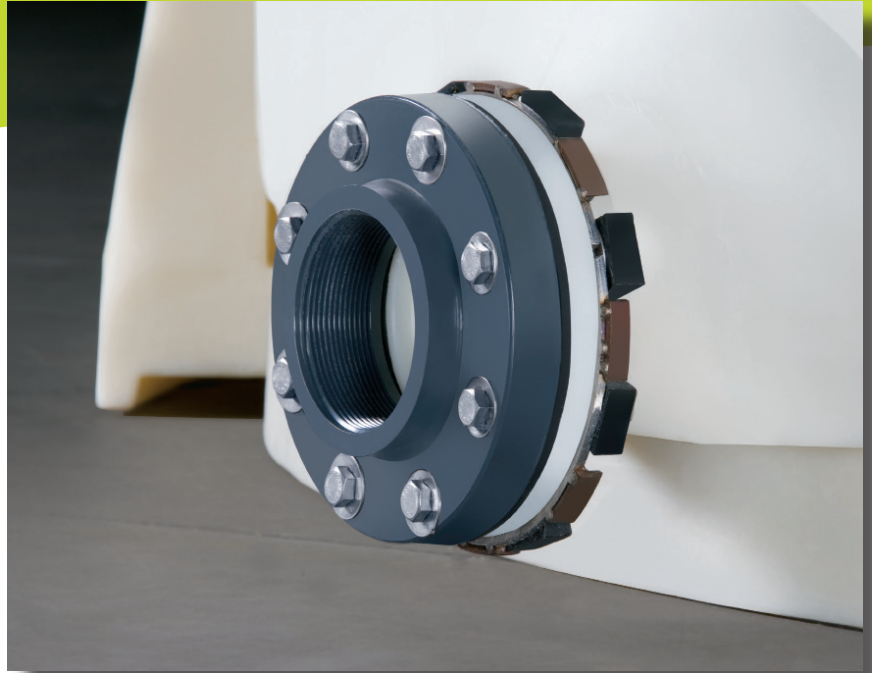


NEXT LEVEL FULL DRAIN TANK SOLUTIONS

Sloped Bottom IMFO®: integrally molded outlet with sloped floor



Traditional tank maintenance can be a challenge with many chemicals – so Poly has designed and engineered a unique sloped bottom tank system that greatly minimizes the hazards associated with traditional vertical tank maintenance. With Poly Processing's Sloped Bottom Integrally Molded Flanged Outlet tank, or IMFO® system, the flange is molded while the tank is processing, making it a stress-free part of the tank. The floor of the tank is sloped towards the IMFO giving the user the greatest possible full drain / discharge system in a vertical tank design.

The Sloped Bottom IMFO's advantages are many:

- The flange is at the bottom of the tank and the tank floor is sloped, therefore complete full drainage is achieved below the tank knuckle radius, which eliminates the need to enter the tank for cleaning.
- One-piece construction enhances long-term performance of the tank, since it doesn't compromise the tank hoop's integrity or structural design.
- In aggressive applications, the complete flange face is protected by the antioxidant OR-1000™ system.
- The Sloped Bottom IMFO allows even heavier materials such as sludge, FOG, and thicker chemicals to discharge completely.

CALIFORNIA
8055 S. Ash St.
French Camp, CA 95231

LOUISIANA
P.O. Box 4150
2201 Old Sterlington Rd.
Monroe, LA 71203
Tel: 866.590.6845
sales@polyprocessing.com

VIRGINIA
161 McGhee Rd.
Winchester, VA 22603

NEXT LEVEL FULL DRAIN TANK SOLUTIONS

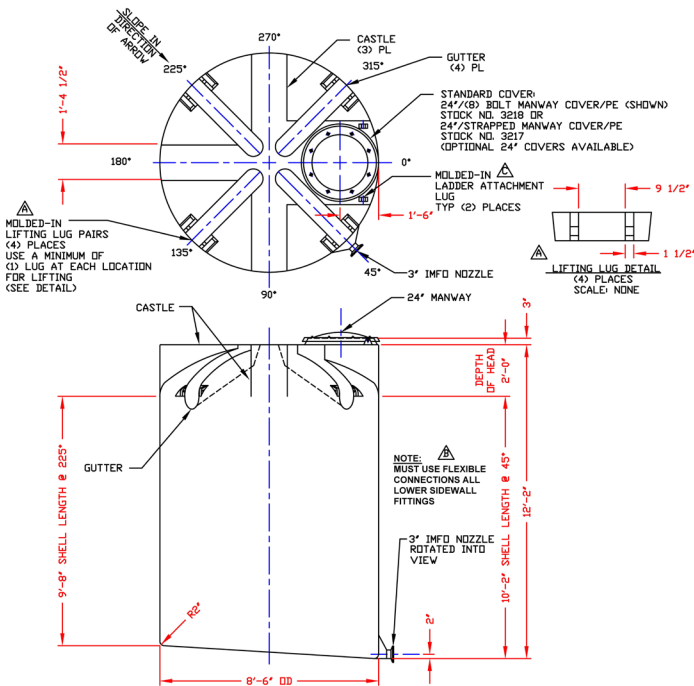
Sloped Bottom IMFO®: integrally molded outlet with sloped floor

SLOPED BOTTOM TANKS WITH IMFO®

SLOPED BOTTOM VERTICAL TANK WITH IMFO®

	Stock Number	Nominal Capacity	Approx. O.D.	Approx. Overall Height	Lid Size	IMFO® Size	Ladder Height
L	• 1215000	15,000	13'-9"	16'-5"	24"	4"	16'
L	• 1213200	13,200	13'-9"	14'-7"	24"	4"	14'
	• 1211800	11,800	12'-0"	16'-4"	24"	4"	15'
L	• 1209850	9,850	12'	14'-1 1/2"	24"	4"	15'
	• 1208500	8,500	12'-0"	12'-7"	24"	4"	10'
L	• 1206350	6,350	10'-2"	12'-10 3/4"	24"	4"	13'
L	• 1206250	6,250	10'-0"	13'-0"	24"	4"	12'
L	• 1204200	4,200	8'-2"	13'-5"	24"	3"	12'
L	• 1204100	4,100	8'-6"	12'-7 3/4"	24"	3"	13'
L	• 1203950	3,950	10'-0"	9'-1"	24"	4"	8'

*A sloped housekeeping pad is required when purchasing a sloped bottom IMFO. Poly Processing can supply a PolyBase pad system. A poured in place concrete pad that is sloped for the specific tank being installed is a great option as well. Please contact Poly Processing Company for more details regarding sloped housekeeping pads and your tank system design.



To learn more about the industry leading Sloped Bottom IMFO by Poly Processing Company, visit:

<http://www.polyprocessing.com/slope>



FOR MORE INFORMATION

866-POLYXLPE

866-765-9957

or 800-523-9871

www.polyprocessing.com

