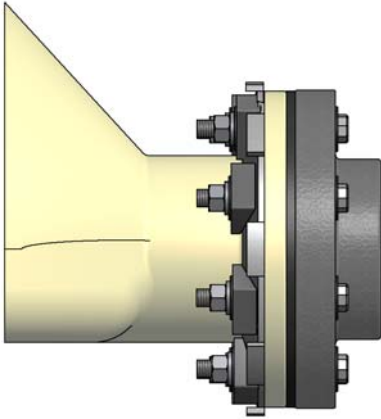
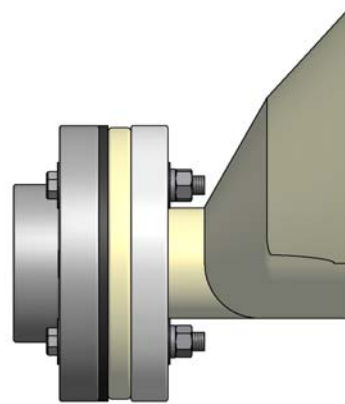


IMFO® FLANGE FITTING ASSEMBLY

- The IMFO® (Integrally Molded Flanged Outlet) is assembled at the PPC plant sites and hydro tested to ensure proper seal.
- There are two types of IMFO® back up rings.

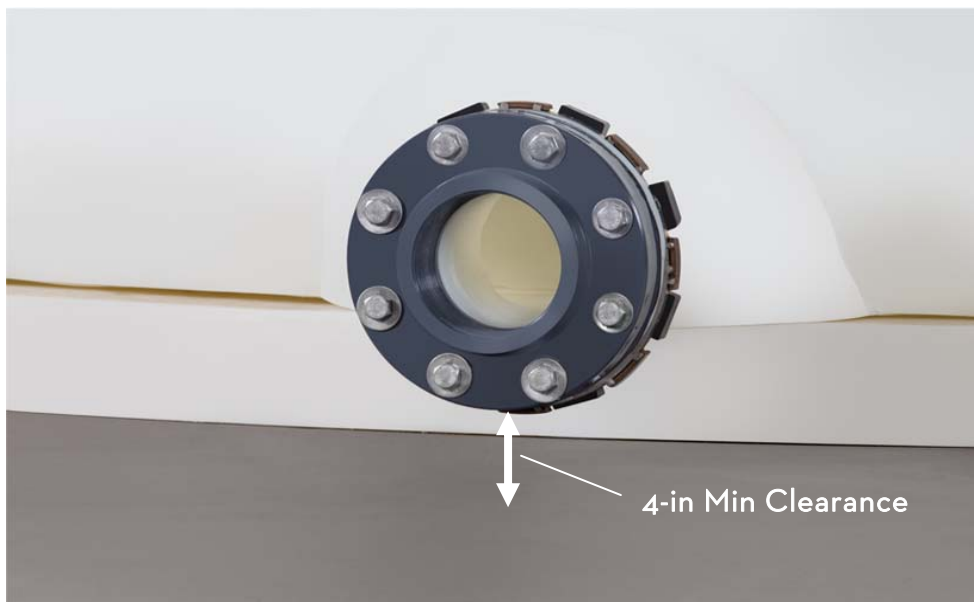


Tapered IMFO® w/ Stainless Steel Back-up Ring



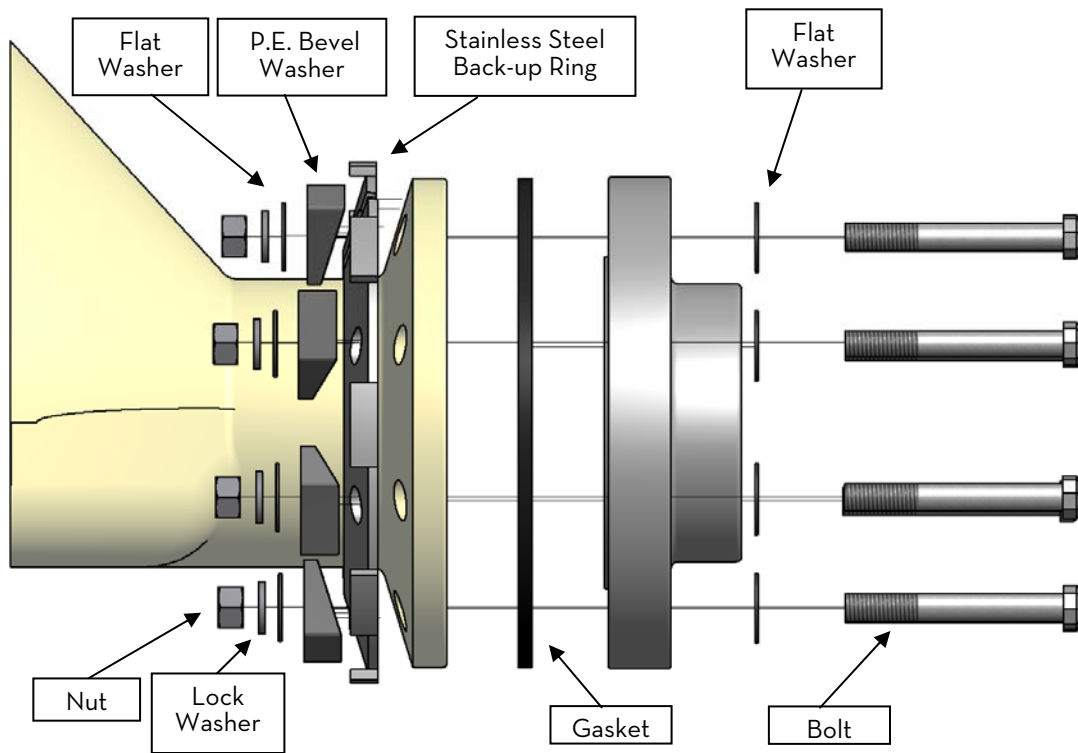
Original IMFO® w/ PVC Back-up Ring

- DO NOT disassemble the factory installation. If field replacement is necessary, use picture and exploded view on the next page as a guide.
- Protect the IMFO® flanged nozzle when storing and installing. When storing, the tank can be stood upright with adequate blocking or laid on its side and chocked to prevent rolling.

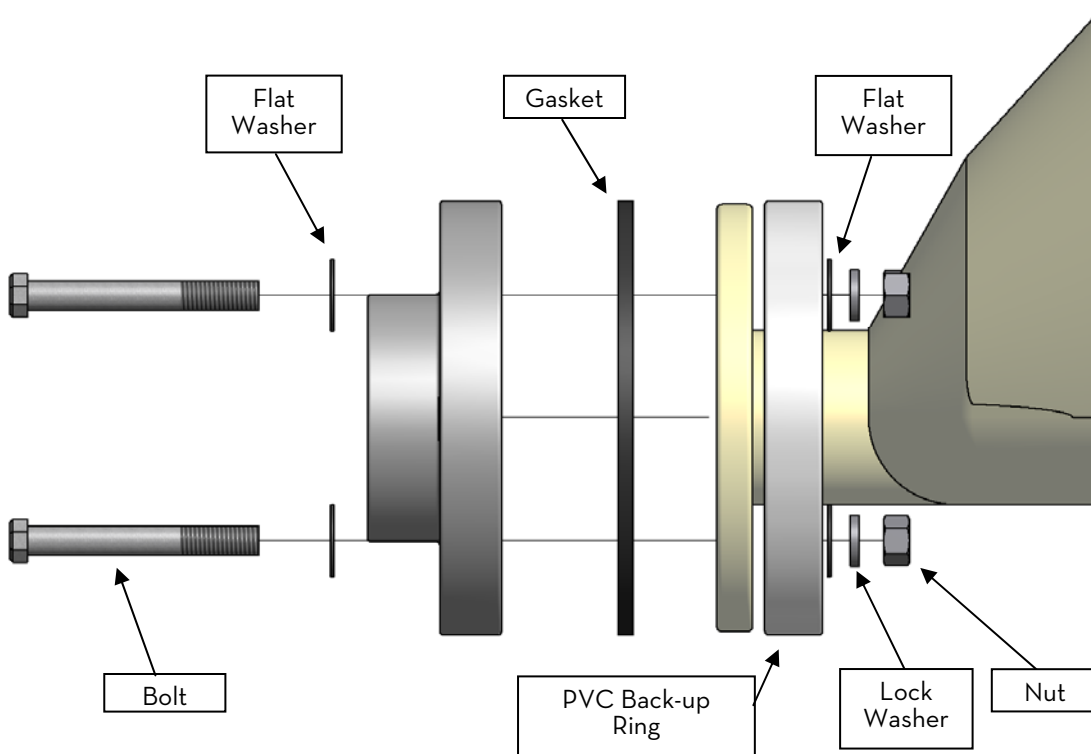


CORRECT STORAGE. Notice clearance of flange above the floor.

IMFO® FLANGE FITTING ASSEMBLY



Tapered IMFO® w/ Stainless Steel Back-up Ring



Original IMFO® w/ PVC Back-up Ring