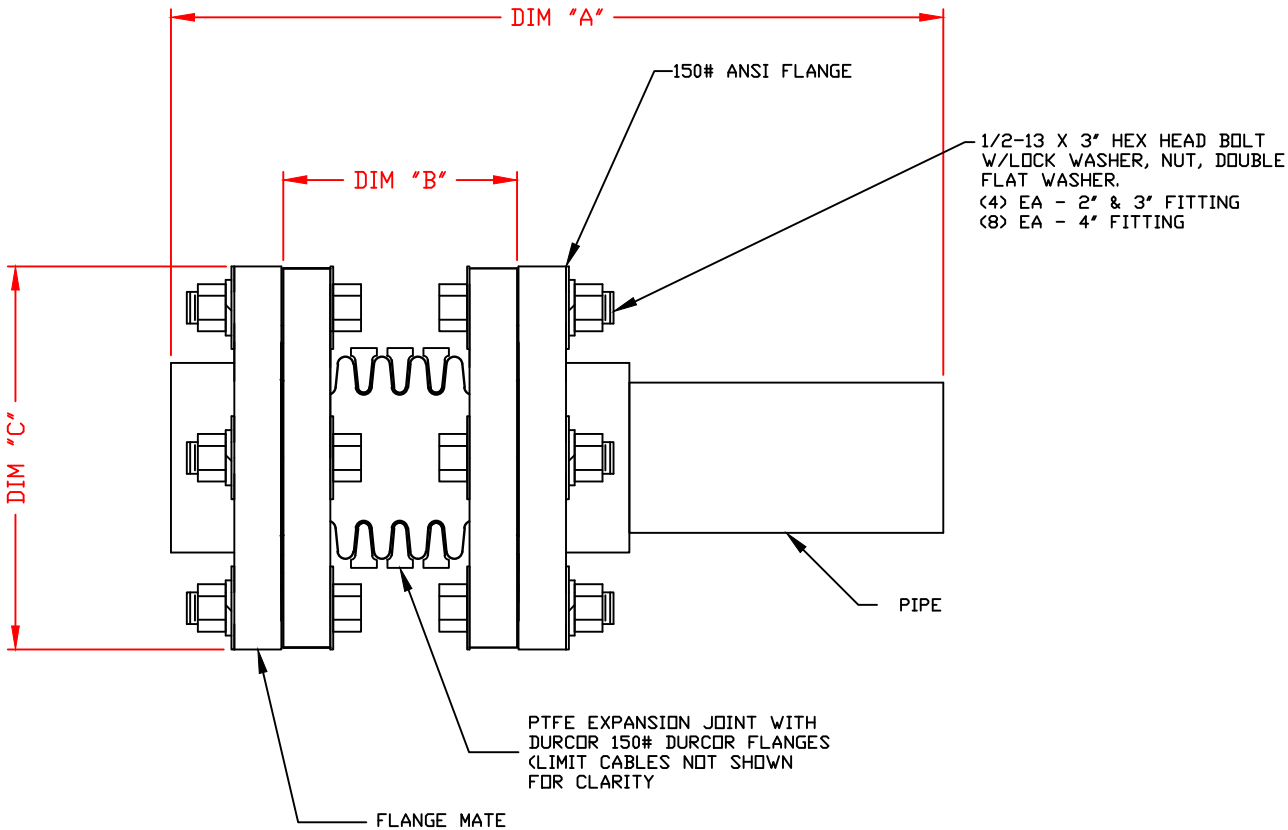



NON-CONTROLLED COPY
 INFORMATION SUBJECT TO CHANGE WITHOUT NOTICE
 VERIFY REV LEVEL OF PAPER COPY WITH REV LEVEL ON PPC WEB SITE



Fitting Size:
Flange Type:
Flange Material:
Bolt Type:
Gasket Material:
Optional Flange:
Optional Liner Sleeve:

NOTES
 1. THIS IS A COMPUTER GENERATED DWG. DO NOT REVISE BY HAND.

PIPE SIZE (NPT)	DIM A	DIM B	DIM C
1"	9 1/4"	3"	4 1/4"
2"	12 3/4"	3 3/4"	6"
3"	14 1/4"	4 3/4"	7 1/2"
4"	15"	4 3/4"	9"
6"	16 1/4"	4 3/4"	11"

DWG TITLE			
FLEXIJJOINT/FLANGEMATE ASSEMBLY			
SCALE:	6"=1'-0"	 Central Region P.O. Box 4589 Grand 2834 Old Springton Rd. Monroe, LA 70005 (504) 343-7825 FAX (504) 343-9795	DR: J. BRANTLEY
DATE:	8/14/12		CK: C. DAVIES
		SHEET	COMPUTER FILE
		1 OF 1	FLXJNTFLGMATEM1 -