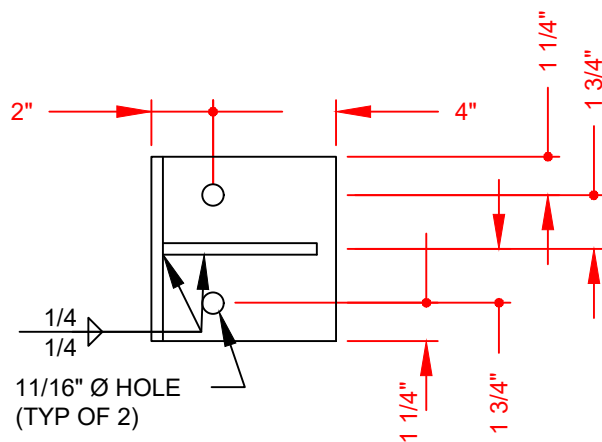
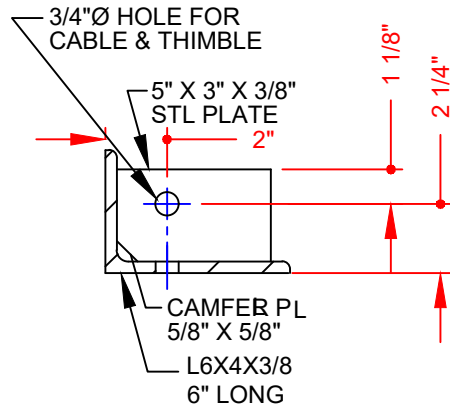



A6-6



CONFIDENTIAL PROPERTY OF
POLY PROCESSING COMPANY
NOT FOR REPRINT OR USE
WITHOUT PERMISSION

DWG TITLE			
2021 IBC RESTRAINT A6-6 CLIPS STAINLESS STEEL			
SCALE:	3"=1'-0"	 POLYPROCESSING SOLUTIONS, SIMPLIFIED	DR:
DATE:	2/9/2023		Central Region P.O. Box 4150 (71211) 2201 Old Shreveport Blvd. Monroe, LA 71253 (510) 343-7567 FAX (510) 343-8795
		SHEET	COMPUTER FILE
		1 OF 1	A6-6 STAINLESSSTEAL
			REV
			-