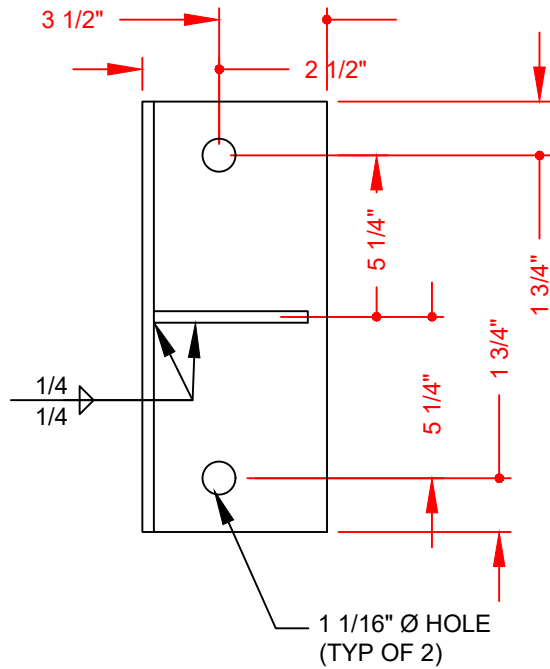
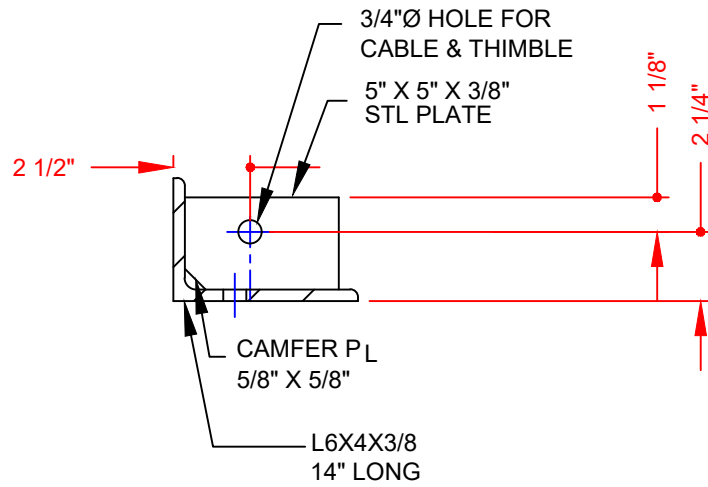



A6-14



DWG TITLE			
2021 IBC RESTRAINT A6-14 CLIPS STAINLESS STEEL			
SCALE:	3"=1'-0"	 <p><b>POLYPROCESSING</b> SOLUTIONS, SIMPLIFIED</p>	DR: B. HARPER
DATE:	2/9/2023		CK:
CONFIDENTIAL PROPERTY OF POLY PROCESSING COMPANY NOT FOR REPRINT OR USE WITHOUT PERMISSION		SHEET 1 OF 1	COMPUTER FILE A6-14 STAINLESSSTEAL REV -

CONFIDENTIAL PROPERTY OF  
POLY PROCESSING COMPANY  
NOT FOR REPRINT OR USE  
WITHOUT PERMISSION