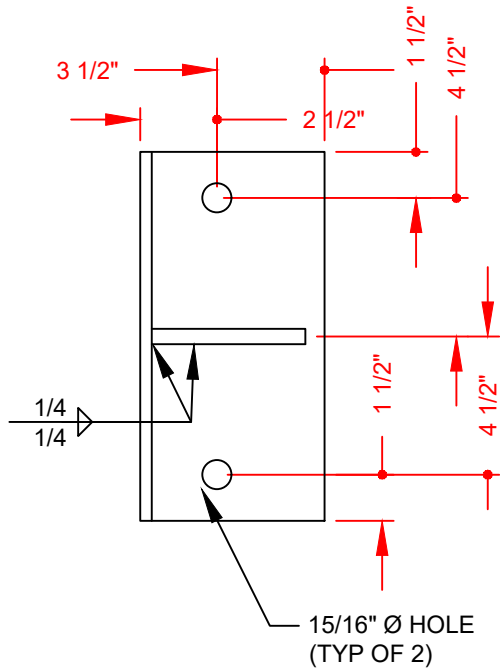
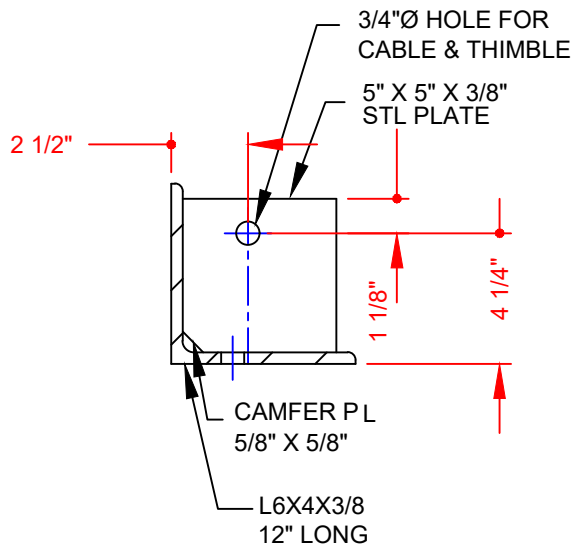



**A6-12**



CONFIDENTIAL PROPERTY OF  
POLY PROCESSING COMPANY  
NOT FOR REPRINT OR USE  
WITHOUT PERMISSION

DWG TITLE			
2021 IBC RESTRAINT A6-12 CLIPS STAINLESS STEEL			
SCALE:	3"=1'-0"	 <p><b>POLYPROCESSING</b> SOLUTIONS, SIMPLIFIED</p>	DR:
DATE:	2/9/2023		B. HARPER
		<p>Central Region P.O. Box 4150 (P1211) 2201 Old Charleston Rd. Monroe, LA 71253 (510) 343-7550 FAX (510) 343-8795</p>	CK:
		SHEET	COMPUTER FILE
		1 OF 1	A6-12 STAINLESSSTEAL
			REV
			-