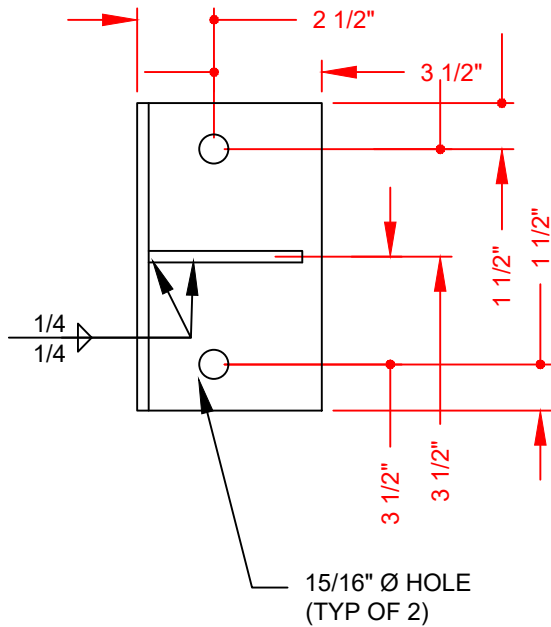
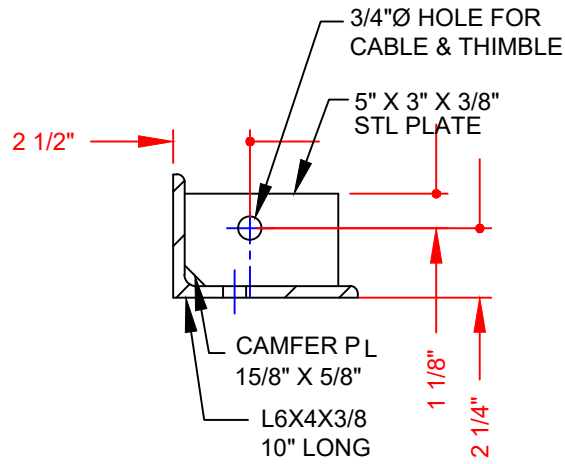



A6-10



CONFIDENTIAL PROPERTY OF
POLY PROCESSING COMPANY
NOT FOR REPRINT OR USE
WITHOUT PERMISSION

DWG TITLE			
2021 IBC RESTRAINT A6-10 CLIPS STAINLESS STEEL			
SCALE:	3"=1'-0"	 <p>POLYPROCESSING SOLUTIONS, SIMPLIFIED</p>	DR:
DATE:	2/9/2023		Central Region P.O. Box 4150 (P1211) 2201 Old Charleston Rd. Monroe, LA 71253 (510) 343-7550 FAX (510) 343-8795
		SHEET	COMPUTER FILE
		1 OF 1	A6-10 STAINLESSSTEAL
			REV
			-