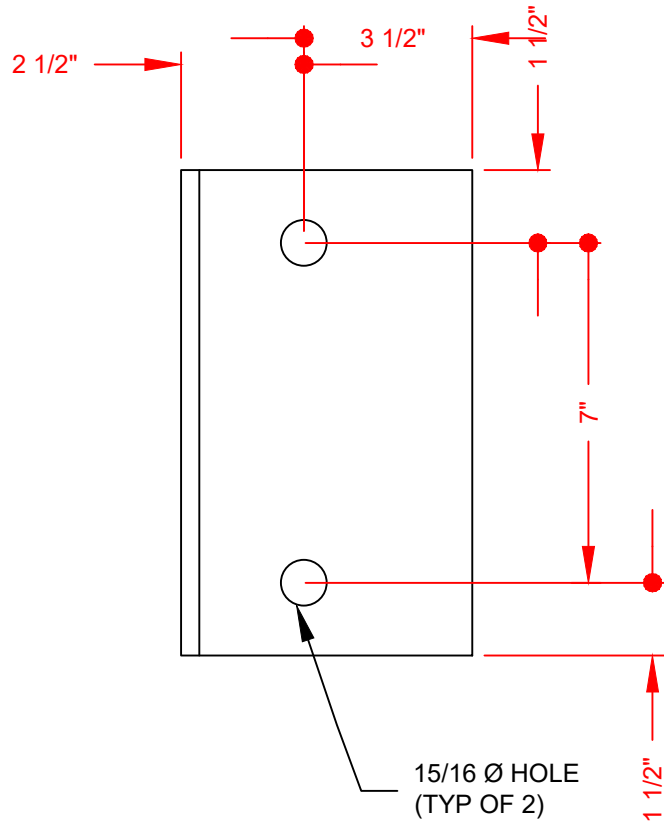
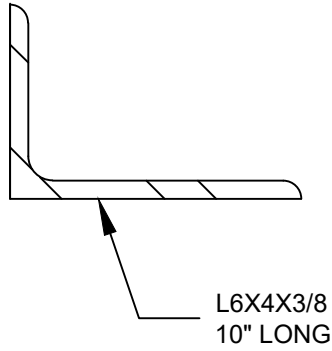



A6-10



CONFIDENTIAL PROPERTY OF
POLY PROCESSING COMPANY
NOT FOR REPRINT OR USE
WITHOUT PERMISSION

DWG TITLE			
2021 IBC RESTRAINT A6-10 CLIPS CARBON STEEL GALVANIZED			
SCALE:	3"=1'-0"	 POLYPROCESSING SOLUTIONS, SIMPLIFIED.	DR:
DATE:	2/9/2023		Central Region P.O. Box 4150 (71211) 2201 Old Sterlington Rd. Monroe, LA 71203 (318) 343-7566 FAX (318) 343-8795
		SHEET	COMPUTER FILE
		1 OF 1	A6-10 GALVANIZED
			REV -