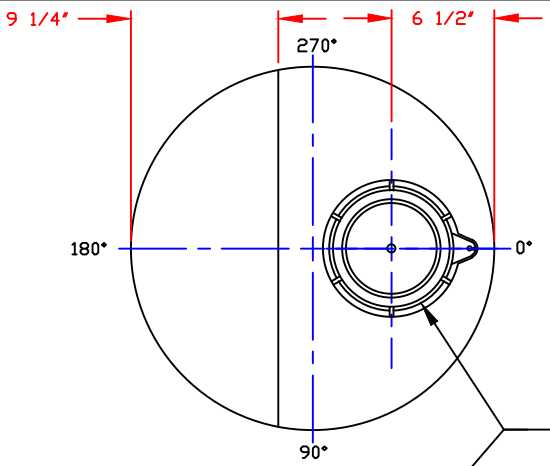
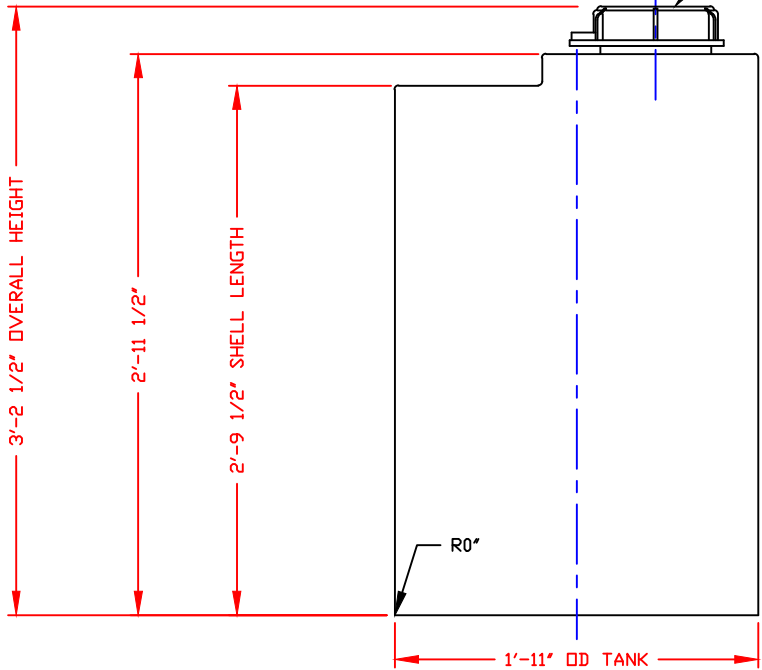


NON-CONTROLLED COPY  
 INFORMATION SUBJECT TO CHANGE WITHOUT NOTICE  
 VERIFY REV LEVEL OF PAPER COPY WITH REV LEVEL ON PPC WEB SITE



**B**  
 STANDARD COVER:  
 7" TH'D CAP/BLANK/  
 CHMPLS/BLACK PE  
 PPC STOCK NO. 4565

NOZZLE SCHEDULE & ACCESSORIES						
SERVICE	MK	STOCK NO.	SIZE	FITTING	DEG	ELEV



**A**  
 NOTE:  
 MUST USE FLEXIBLE  
 CONNECTIONS ALL  
 LOWER SIDEWALL  
 FITTINGS

**NOTES:**  
 1. THIS IS A COMPUTER GENERATED DWG. DO NOT REVISE BY HAND.  
 2. DIMENSIONS WILL VARY ±3% DUE TO VARIATIONS IN MULTIPLE  
 MOLDS & CONDITIONS PREVALENT DURING MANUFACTURE & USAGE.  
 3. NO MOLDED IN GALLONAGE MARKERS THIS TANK.

CALCULATED CAPACITIES/ VOLUME IN U.S. GALLONS	
DESIGN CAP	TOTAL VOL
59	62

CONFIDENTIAL PROPERTY OF  
 POLY PROCESSING COMPANY  
 NOT FOR REPRINT OR USE  
 WITHOUT PERMISSION

DWG TITLE: **55 GALLON UPRIGHT TANK**

SCALE: 1 1/2" = 1'-0"  
 DATE: 2/21/00  
 Western Region  
 P.O. Box 88  
 8002 South Ash Street  
 French Camp, CA 95231  
 (209) 988-4884  
 FAX (209) 988-0485  
 DR: MB WILKERSON  
 CK: D. RECTOR

REV "B" REVISED COVER BY:JB 7/23/03 CK:MBW  
 REV "A" ADDED FITTING NOTE BY:JB 3/19/03 CK:MBW  
 REV "C" REVISED TANK DOME AND COVER LOCATION  
 DIMENSION BY:BT 4/17/12 CK:JB

SHEET 1 OF 1  
 COMPUTER FILE 11000055  
 REV C

B-3