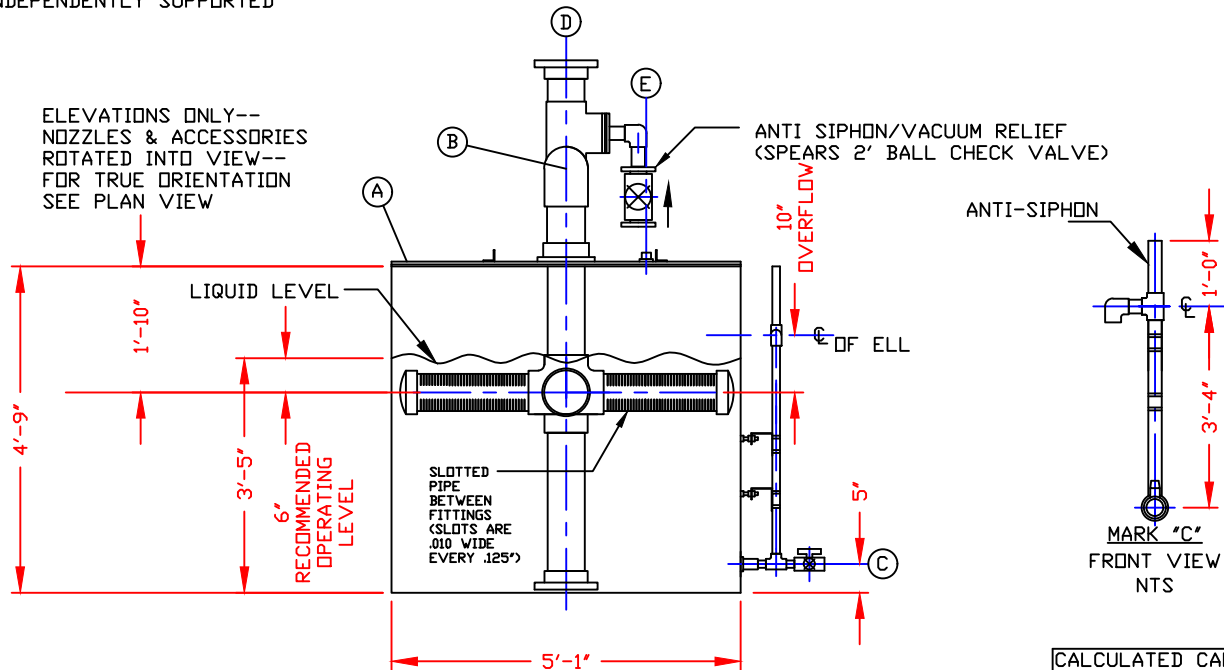


NOZZLE SCHEDULE & ACCESSORIES						
SERVICE	MK	STOCK NO	SIZE	FITTING	DEG	ELEV
COVER	A	9377	--	CVR ASMBLY OT 61" DIA SS/PE	ALL	TOP
VENT	B	3278	6"	U-VENT 6" PVC	90°	TOP
OUTLET/ OVERFLOW	C	11204A	1"	SCRUBBER 1" OUTLET/OVERFLOW PVC/Viton/C-276	0°	5"
SCRUBBER	D	12924A	6"	SCRUBBER ASMLY 6" PVC/Viton	CTR	TOP
FILL	E	7110A	1"	BHF ASMLY 1" SXT H'WARD PVC/Viton	45°	TOP



WARNING:
 THIS DRAWING & THE CONCEPT IT COMMUNICATES IS NOT A SUBSTITUTE FOR PROFESSIONAL ENGINEERING REGARDING SPECIFIC TANK VENTING, METHODS FOR EMERGENCY PRESSURE RELIEF, & TANK FILLING PROTOCOL

NOTE: INCOMING VENT PIPE MUST BE INDEPENDENTLY SUPPORTED



- NOTES**
1. THIS IS A COMPUTER GENERATED DWG. DO NOT REVISE BY HAND.
 2. DIMENSIONS WILL VARY ±3% DUE TO VARIATIONS IN MULTIPLE MOLDS & CONDITIONS PREVALENT DURING MANUFACTURE & USAGE.
 3. MOLDED IN GALLONAGE MARKERS @ 0° IN 100 GAL INCREMENTS STARTING @ 100 GAL UP TO 500 GAL.
 4. TANK DESIGNED FOR 1.9 SpG MAT'L @ 100°F/ATMOS PRESSURE.

CALCULATED CAPACITY VOLUME IN U.S. GALLONS
DESIGN CAPACITY
712

DWG TITLE		POLYSCRUB BASIC 5' X 5' SCRUBBER	
SERVICE: WATER		1.9 SpG/XLPE/NATURAL STOCK NO. 11500710410	
SCALE: 1/2"=1'-0"	 Western Region P.O. Box 80 8023 South Ash Street French Camp, CA 95231 (209) 982-4904 FAX (209) 982-0455	DR: B. THURMOND	REV
DATE: 5/1/2024		 POLYPROCESSING SOLUTIONS, SIMPLIFIED.	CK:
SHEET 1 OF 1		COMPUTER FILE POLYSCRUB BASIC	