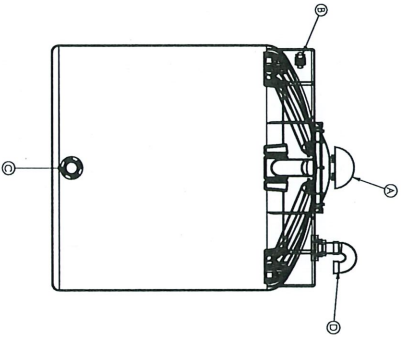
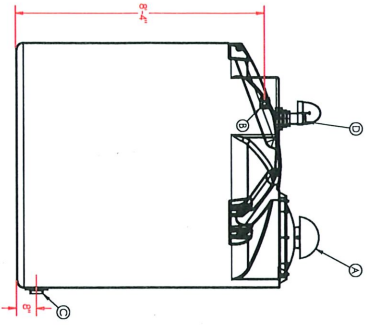
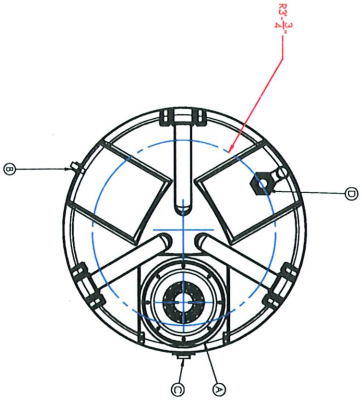
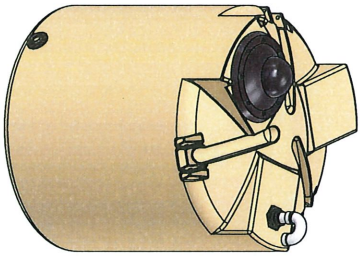


NOZZLE SCHEDULE & ACCESSORIES			
SERVICE	MK	STOCK NO	SIZE FITTING
LID/MANWAY	A	10645	24" CVR 24" MWV W/8" MUSHROOM VENT BLK PE W/VENT SCREEN
2" FILL	B	7507	2" BHF ASMLY 2" FL NPL RHINO SS/EPDM
4" DISCHARGE	C	2087	4" BLTD FLG FTG 4" THRD PVC/SS/EPDM
4" U-VENT	D	3275	4" U-VENT 4" PVC
		9071	SCREEN F/4" VENT PE MESH



TANK:	RESIN TYPE:	STOCK #:	TANK SPG:	TANK COLOR:	INNER SURFACE COLOR:
	XLPE	11002750110	1.35	NATURAL	N/A
CONTAINMENT		N/A			

Technical Review Approved,
OK to Proceed. C. Kennedy 5/21/2026

Approved 5/27/26

Chris Kennedy

RELEASED TO MANUFACTURING
NAME: Chris Kennedy
DATE: 05/27/2026

- NOTES:
1. MUST USE FLEXIBLE CONNECTION ALL LOWER SIDEWALL FITTINGS.
 2. ANY ASSEMBLIES/PARTS NOT SAFE TO SHIP INSTALLED WILL REQUIRE JOBSITE INSTALLATION. BY OTHERS. FOR FURTHER DETAIL CONTACT YOUR PPC REPRESENTATIVE.
 3. DIMENSIONS WILL VARY ±3% DUE TO VARIATIONS IN MULTIPLE MOLDS & CONDITIONS PREVALENT DURING MANUFACTURE & USAGE.
 4. NO MOLDED IN GALLONAGE MARKERS THIS TANK.
 5. TANK DESIGNED FOR 1.35 SPG MATL @ 100°F/ATMOS PRESSURE.

**2750 GALLON VERTICAL TANK
NON-POTABLE WATER STORAGE**

NO. OF TANKS: 1

SERVICE: WATER, NON-POTABLE

DESIGN CAP	2796	NSF CERTIFIED: NO	COMPUTER FILE	REV
DOME VOL	372		WFP6467A	1
TOTAL VOL	3168			

WESTERN REGION DRAIN BY: C. JOHNSON
DATE: 05/21/2026
SCALE: 1/2"=1'-0"
SHEET: 1 OF 1
WESTWAY FEED PRODUCTS, LLC PO #400-6467-001
FOR: BWC TERMINALS PROJECT: REPLACEMENT TANK FOR C-07-01040 (NON-POT WAT)