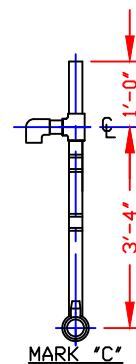
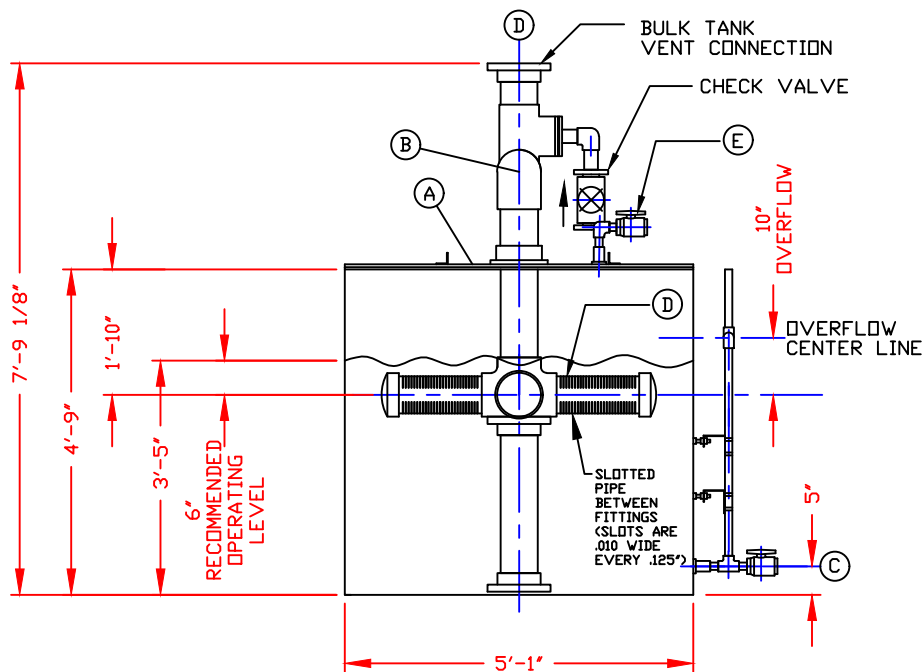
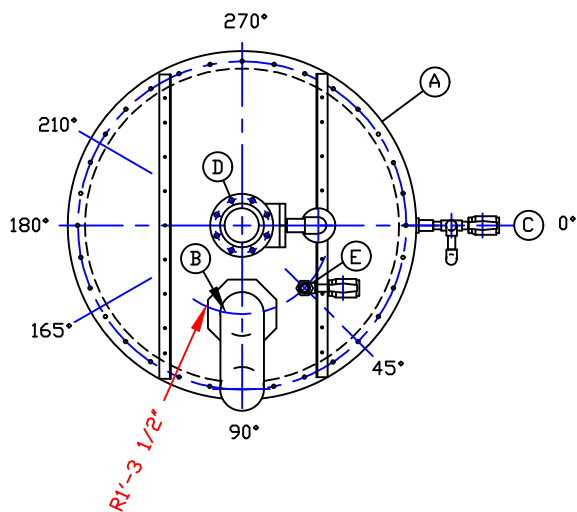


SERVICE	MK	STOCK NO	SIZE	FITTING	DEG	ELEV
COVER	A	9377	--	CVR ASMBLY OT 61" DIA SS/PE	ALL	TOP
SCRUBBER VENT	B	11949	6"	U-VENT 6" PVC/VITON	90°	TOP
DRAIN	C	10897	2"	SCRUBBER 2" OUTLET/OVERFLOW PVC/LV/C-276	0°	5"
SCRUBBER	D	10898	6"	SCRUBBER ASMLY 6" PVC/LV	CTR	TOP
BATH FILL	E	3180	1"	Valve 1" Ball Txt Spears Compact Pvc w/viton	45°	TOP
		7110	1"	Bhf Asmly 1" Sxt H'ward Pvc/lv		
		4612	1"	El 1" 90 Deg Txt Pvc 80		
		9802	1"	(2) Nipple 1" x 3" Pvc 80		





MARK "C"
FRONT VIEW
NOT TO SCALE

NOTE: INCOMING VENT PIPE MUST BE INDEPENDENTLY SUPPORTED
ELEVATIONS ONLY--
NOZZLES & ACCESSORIES ROTATED INTO VIEW--
FOR TRUE ORIENTATION SEE PLAN VIEW

NOTES

1. THIS IS A COMPUTER GENERATED DWG. DO NOT REVISE BY HAND.
2. DIMENSIONS WILL VARY ±3% DUE TO VARIATIONS IN MULTIPLE MOLDS & CONDITIONS PREVALENT DURING MANUFACTURE & USAGE.
3. TANK DESIGNED FOR 1.9 SpG MAT'L @ 100°F/ATMOS PRESSURE.

CALCULATED CAPACITY TO OPERATING LEVEL
~515 GALLONS

DWG TITLE		POLYSCRUB BASIC 5' X 5' SCRUBBER	
SERVICE: SCRUBBER MEDIA		1.9 SpG/XLPE/NATURAL	
SCALE: 1/2"=1'-0"			DR: B. HARPER
DATE: 4/12/2021			CK:
SHEET		COMPUTER FILE	
1 OF 1		POLYSCRUB BASIC	