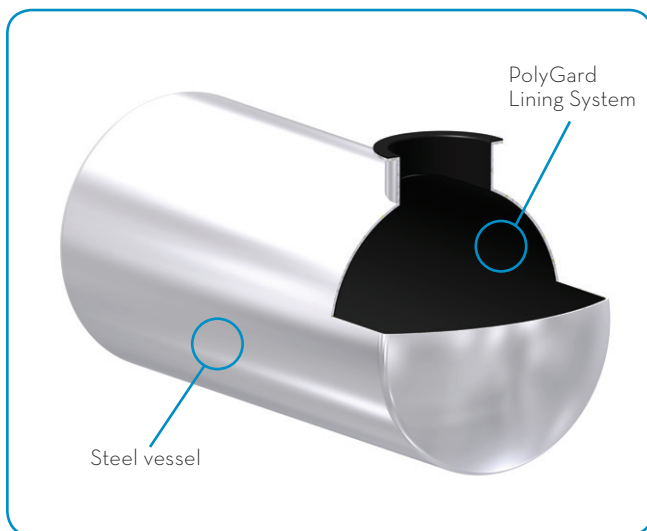


POLYGARD™

A seamless, corrosive-resistant liner for steel tanks and vessels.



NEED THE STRUCTURAL INTEGRITY OF STEEL AND THE CHEMICAL BARRIER PROPERTIES OF POLYETHYLENE?

Add a PolyGard™ lining system to your steel tank or vessel. PolyGard™ is a seamless, corrosive-resistant polyethylene lining system that serves as a barrier between the steel tank and the chemical it's storing - and it protects your vessel even in the harshest of conditions.

HOW IT WORKS: Bring your steel tank or vessel to Poly Processing, or contact us to discuss your specific needs. We'll use our proprietary rotational molding process to ionically bond the PolyGard™ system to the steel, creating a homogenous and consistent product. The robust, seamless lining system will prevent highly oxidizing chemicals such as sulfuric acid, hydrochloric acid, ammonia, and other compounds from attacking the steel surface, greatly extending the life of the tank.

THE POLYGARD™ SYSTEM IS IDEAL FOR:

- Storage vessels used in the gas and oil industry, where high-pressure and high-temperature substances are common
- Offshore vessels, Coast Guard-approved vessels and construction sites, to mitigate the risk of spills that could cause serious ecological damage
- The lining of pipes with larger diameters, to help maintain the integrity of the steel pipe
- D.O.T.-approved tanker trailers

HOW YOU'LL SAVE:

The PolyGard™ medium-density high performance system is a cost-effective alternative to conventional liners like Tenemec, Phenolic and rubber spray-on systems. It's ideal for safeguarding tanks used in high-volume continuous applications, which can be very expensive to replace.

POLYGARD™ PERFORMANCE PARAMETERS

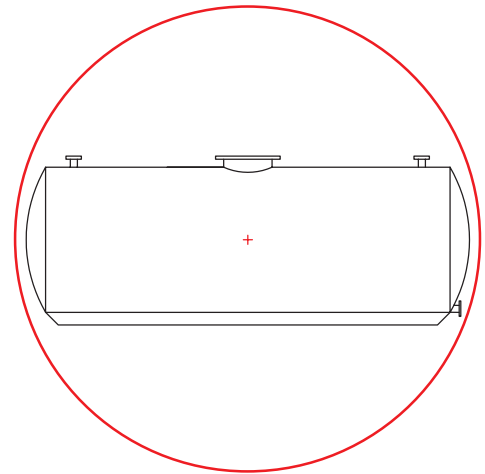
Temperature Threshold: -40°F to 170°F

Pressure Rating: In accordance with the steel vessel rating

Impact Resistance: Exceeds 150 ft/lb at -40°F

Maximum weight capacity of total system: 10,000 lbs

Dimensional Capacity: 230" max



**TO GET AN ESTIMATE FOR YOUR POLYGARD™ SYSTEM,
SUBMIT A DRAWING TO YOUR POLY PROCESSING
CUSTOMER SERVICE REPRESENTATIVE.**

**TO LEARN MORE ABOUT POLYGARD™ OR ANY OF OUR
PRODUCTS AT POLY PROCESSING, CALL US AT 866-765-9957 or 866-PolyXLPE
OR VISIT OUR WEBSITE.**



POLYPROCESSING
SOLUTIONS, SIMPLIFIED.

CALIFORNIA

8055 S. Ash St.
French Camp, CA 95231

LOUISIANA

P. O. Box 4150
2201 Old Sterlington Rd.
Monroe, LA 71203

VIRGINIA

161 McGhee Rd.
Winchester, VA 22603

sales@polyprocessing.com
866.765.9957 or 866-PolyXLPE